

THE FOLLOWING AMENDMENTS ARE TO BRING OMC 18.02.180, 18.32.500 AND 18.32.515 INTO CONSISTENCY WITH THE CITY'S SHORELINE MASTER PROGRAM

18.02.180 DEFINITIONS – SPECIFIC.

Lake. A naturally existing or artificially created body of standing water greater than twenty (20) acres in size. Lakes include reservoirs which exist on a year-round basis and occur in a depression of land or expanded part of a stream. A lake is bounded by the ordinary high water mark or the extension of the elevation of the lake's ordinary high water mark within the stream, where the stream enters the lake. All such lakes meet the criteria of RCW Chapter 90.58 (Shoreline Management Act) and have been inventoried as "Shorelines of the State" found in the Shoreline Master Program, ~~for the Thurston Region in OMC 14.0818.20.~~

Land Use Approval. A written approval or permit issued by the Director or Hearing Examiner, or designee thereof, finding that a proposed project is consistent with applicable plans, regulations and standards and authorizing the recipient to make use of property in a certain manner. The land use approval consolidates various non-construction permit reviews of a project such as design review, environmental review, zoning conformance, and site plan review. Land Use Approval is a permit which does not directly authorize construction or improvements to real estate, but which is a necessary and required precursor to authorization of such construction or improvement. Land Use Approval includes, but is not limited to, applications for review and approval of a preliminary or final subdivision, short plat, binding site plan, conceptual or detailed master planned development, planned residential development, conceptual design review, site plan review, conditional use permit, variance, shoreline development permit, or other such reviews pertaining to land use.

Land Use Approval, Administrative. A Land Use Approval which may be issued by an authorized official or body, usually the Director, without an open record predecision hearing.

Land Use Approval, Quasi-Judicial. A Land Use Approval issued by an authorized official or body, usually the Hearing Examiner, following an open record predecision hearing.

Landscape Plan. A component of a site development plan on which is shown: proposed landscape species (number, spacing, size at time of planting, and plant details); proposals for protection of existing vegetation during and after construction; proposed treatment of hard and soft surfaces; proposed decorative features;

grade changes; buffers and screening devices; and any other information that can reasonably be required in order that an informed decision can be made by the approving

authority.

Landscape Structure. A fence, wall, trellis, statue or other landscape and ornamental object.

Landscaping. An area devoted to or developed and maintained predominantly with native or non-native plant materials including lawn, groundcover, trees, shrubs, and other plant materials; and also including accessory decorative outdoor landscape elements such as ornamental pools, fountains, paved or decorated surfaces (excluding driveways, parking, loading, or storage areas), and sculptural elements.

Landslide. Episodic down-slope movement of a mass of soil or rock that includes but is not limited to rockfalls, slumps, mudflows, earthflows and snow avalanches.

Large Lot Subdivision. The division of land into lots or tracts, each of which is 1/128 of a section of land or larger, or five acres or larger if the land is not capable of description as a fraction of a section of land.

Laundry and Laundry Pick-up Agency. An enterprise where articles of clothing, linen, etc. are washed, including self-service laundries as well as those where customers drop off articles to be laundered either on or off the premises, or dry-cleaned off the premises only. This includes diaper services, but not the following, which are classified as Light Industrial uses: dry-cleaning plants, linen supply services, carpet and upholstery cleaning plants, and industrial launderers.

Legal Lot of Record. A lot of a subdivision plat or binding site plan or a parcel of land described in a deed either of which is officially recorded to create a separate unit of property, provided that such plat, site plan, or deed shall accord with applicable local, state or federal law on the date created. Separate descriptions of adjoining parcels within a single deed shall not necessarily constitute separate legal lots of record.

Local Improvement. A public improvement for the benefit of property owners provided to a specific area that benefits that area and that is usually paid for, at least in part, by a special assessment.

Lodging House. See Dwelling, Transient.

Lot. Lands having fixed boundaries, being of sufficient area and dimension to meet minimum zoning requirements for width and area. The term shall also include tracts and parcels. Lot classifications are as follows:

- a. Lot, Corner. A lot that abuts two (2) or more intersecting streets.
- b. Lot, Flag or Panhandle. A lot with less than thirty (30) feet of street frontage which is typically connected to a public or private street by a narrow driveway. A lot where access is only provided by a private easement is not a flag lot.
- c. Lot, Interior. A lot that has frontage on one public or private street only, or is provided access by a private easement.
- d. Lot, Through. A lot that fronts on two (2) parallel or nearly parallel streets that do not intersect at the boundaries of the lot.
- e. Lot, Wedge-shaped. A lot with a street frontage which is no more than half as wide as the lot's width at the rear property line, as depicted in Figure 2-5b.

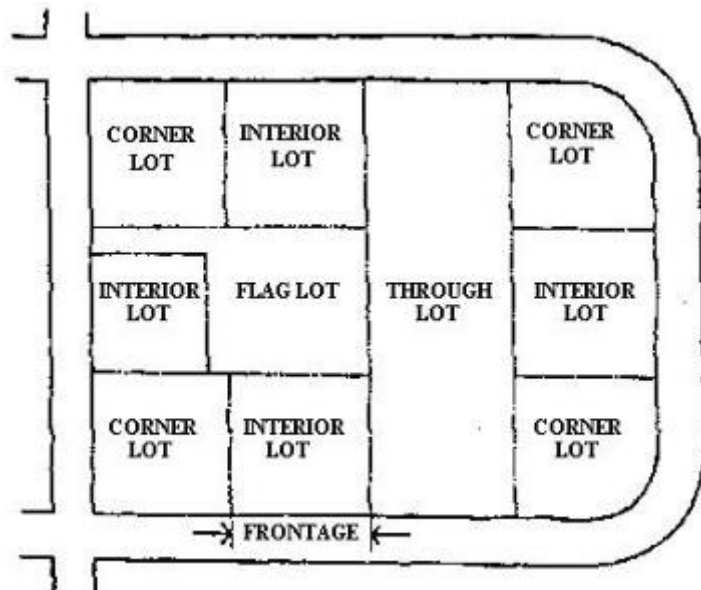
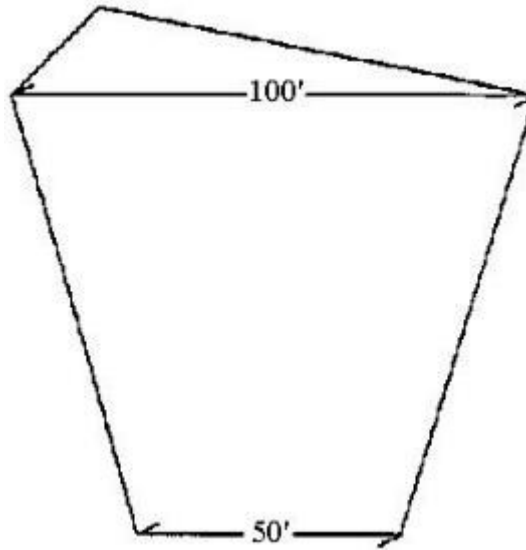


FIGURE 2-5



Example of a Wedge-Shaped Lot

FIGURE 2-5b

Lot Frontage. See Frontage.

Lot Line. A line dividing one lot from another lot or from a street rights-of-way or alley. (See also Property Line.)

Lot of Record. A lot, the plat, or deed to which is officially recorded as a unit of property and is described by metes and bounds.

Lot, Substandard. A parcel of land that is less than the minimum area or minimum dimensions required in the zone in which the lot is located. (See also Minimum Lot Size, Undersized Lots in development standards.)

Lot Width. The straight line distance measured between side lot lines parallel to the front setback line. (See also Section 18.04.080(G)(1) and Table 4.04.)

Low Income Housing. See Affordable Housing.

18.02.180 DEFINITIONS - SPECIFIC.

Object. A thing of functional, aesthetic, cultural, historical, or scientific value that may be, by nature or design, movable yet related to a specific setting or environment.

Off-Site Treatment and Storage Facility. A facility that treats or stores hazardous wastes or special incinerator ash generated on properties other than the property on which the off-site facility is located. (See also current edition of "Zoning Guidelines for Hazardous Waste Treatment and Storage Facilities," prepared by the Solid and Hazardous Waste Program of the State Department of Ecology.)

Office. A building or portion thereof which is primarily used to transact the administrative or professional activities of a business. Such uses include, but are not limited to: medical (excluding veterinary), dental, chiropractic, optometric, legal, banking, insurance, real estate, security brokers, administrative, public, contractors, consultants, corporate, or manufacturers' offices. (See also Home Occupation.)

Office, Bank. Banks, savings and loans, credit unions, and other depository institutions.

Office, Business. The offices of real estate agencies, mortgage brokers, advertising agencies, credit agencies, mailing services and postal substations, employment agencies, insurance agencies, membership organizations except fraternal organizations, accountants, attorneys, security brokers, financial advisors, architects, engineers, surveyors, tax preparation services, computer software development, and other similar business services. This may also include the administrative offices for businesses whose primary activity may be construction, manufacturing, utility services, or some other non-office use conducted elsewhere.

Office, Government. The legislative, administrative, service delivery, or judicial offices of local, state, or federal agencies. It also includes federal post offices where mail processing takes place for local delivery. It does not include government land uses such as maintenance facilities for government-owned trucks, busses, or heavy equipment which are a Light Industrial use.

Office, Medical. This includes the offices of doctors, dentists, chiropractors, optometrists, and other health practitioners providing outpatient care. It also includes medical and dental laboratories, blood banks, and the like.

Office Supplies and Equipment Stores. Stores selling office products such as stationery, legal forms, writing implements, typewriters, computers, copiers, office furniture, and the like.

Office Uses, General. A room or group of rooms used for conducting the affairs of a business

and generally furnished with desks, tables, files, and communication equipment.

Office, Veterinary/Clinic. A place where animals are given medical care and the boarding of animals is limited to short-term care incidental to the hospital use. (See also Animal Hospital.)

Olympia Coordinate System. The horizontal ground scale coordinate system referenced to the Washington Coordinate System as established by the City Public Works Department.

On-Site. Located on the same lot that is the subject of an application for development.

On-Site Treatment and Storage Facility. A facility that treats or stores hazardous wastes generated on the same property, see current edition of "Zoning Guidelines for Hazardous Waste Treatment and Storage Facilities," prepared by the Solid and Hazardous Waste Program of the State Department of Ecology.

Open Record Hearing. A hearing conducted by a single hearing body or officer that creates the City's record through testimony and submission of evidence and information under procedures prescribed by this Title. [See RCW 36.70B.020(3)].

Open Record Appeal Hearing. A form of open record hearing held on request in response to a notice of decision when no open record predecision hearing was held on the project permit. [See RCW 36.70B.020(3)].

Open Record Predecision Hearing. A form of open record hearing held prior to the City's decision on a project permit. [See RCW 36.70B.020(3)].

Open Space, Common. Land within or related to a development, not individually owned or dedicated for public use, that is designed and intended for the common use or enjoyment of the residents and may include such complementary structures and improvements as are necessary and appropriate.

Open Space, Public. Undeveloped public land that is permanently set aside (as opposed to regulated) to protect the special natural character of a particular location. Open space may include, but is not limited to wetlands; wetland buffers; creek, stream or river corridors; forested areas; ravines, bluffs or other geologically hazardous areas; and undeveloped areas within parks.

Ordinary High Water Mark (OHWM). (Also referred to as Ordinary High Water Line OHWL) Per

WAC ~~22-110-020220-660-030~~, the mark on the shores of all waters that will be found by examining the bed and banks and ascertaining where the presence and action of waters are so common and usual and so long continued in ordinary years, as to mark upon the soil or vegetation a character distinct from that of the abutting upland, provided that in any area where the ordinary high water line cannot be found, the ordinary high water line adjoining saltwater shall be the line of mean higher high water, and the ordinary high water line adjoining freshwater shall be the elevation of the mean annual flood. ~~OWHM-OHWM~~ is used to determine the location of standard buffer widths of streams as required under OMC 18.32.435(C)(1).

Ordinary Repair and Maintenance. Work for which a permit issued by the City is not required by law, and where the purpose and effect of such work is to prevent or correct any deterioration or decay of or damage to the real property or structure appurtenant thereto and to restore the same, as nearly as may be practicable, to the condition prior to the occurrence of such deterioration, decay or damage.

Outdoor Storage. The keeping of any goods, junk, material, merchandise, or vehicles in the same place for more than 24 consecutive hours.

Over Water. Location above the surface of the water, including placement of buildings on piling or floats.

Overlay Zone. A zoning district or specific plan that encompasses one or more underlying zones or areas and which imposes requirements in addition to those required by the underlying zone. (See also Overlay Districts in Article III.)

Owner of Property. The fee simple owner of real property according to Thurston County Auditor records.

18.32.500 Wetlands - Purpose and Intent

In order to protect the natural function of wetlands and for floodwater storage, floodwater conveyance, sediment control, pollution control, surface water supply, aquifer recharge, wildlife habitat, and recreation, those lands with wetlands or which lie within three hundred (300) feet of wetlands shall be subject to the standards in OMC 18.32.100(~~LA~~) and OMC 18.32.505 through OMC 18.32.595. (Note: Further information regarding development within associated wetlands along marine shorelines, lakes over 20 acres in size, and streams can be found in OMC 18.20 Shoreline Master Program.)

18.32.515 Wetlands - Small Wetlands

A. Wetlands less than one thousand (1,000) square feet shall be exempt from the requirements of OMC 18.32.135.A; wetland buffers in OMC 18.32.535, compensation projects in OMC 18.32.545 and replacement ratios in OMC 18.32.550 provided that the wetland or pond:

1. -Is an isolated Category III or IV wetland;
2. Is not associated with a riparian corridor;
3. Is not part of a wetland mosaic; ~~and~~
4. Does not contain habitat identified as essential for local populations of priority species identified by the Washington State Department of Fish and Wildlife; ~~and~~
5. No part of the wetland is within shorelines of the State of Washington, except as authorized by OMC 18.20.420(C)(3).

B. Wetlands between one thousand (1,000) and four thousand (4,000) square feet shall be exempt from the requirements of OMC 18.32.135.A, provided that the wetland:

1. Is rated as a Category III or IV wetland,
2. Is not associated with a riparian corridor,
3. Is not part of a wetland mosaic,
4. Does not score 5 points or greater for habitat in the Washington State Wetland Rating System for Western Washington (2014),
5. Does not contain habitat identified as essential for local populations of priority species identified by the Washington State Department of Fish and Wildlife, ~~and~~
6. A wetland mitigation report is provided as required by OMC 18.32.590; ~~and~~
7. No part of the wetland is within shorelines of the State of Washington.