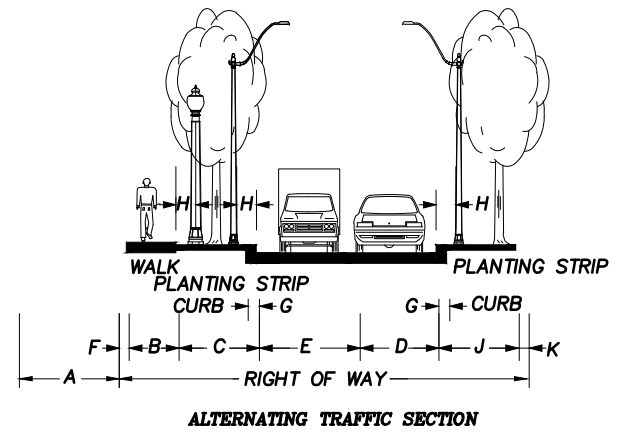
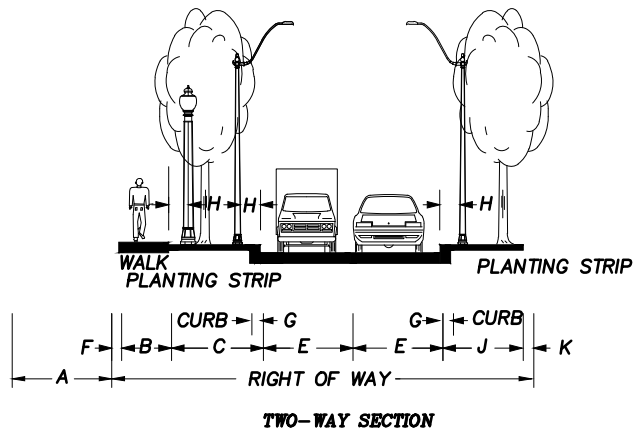


APPROVED BY	REVISED DATE	CITY OF OLYMPIA RESIDENTIAL LOW IMPACT NEIGHBORHOOD COLLECTOR	STD. PLAN NO.
CITY ENGINEER	2/27/08		9-1B SHEET 2 OF 2 9-1B.DWG

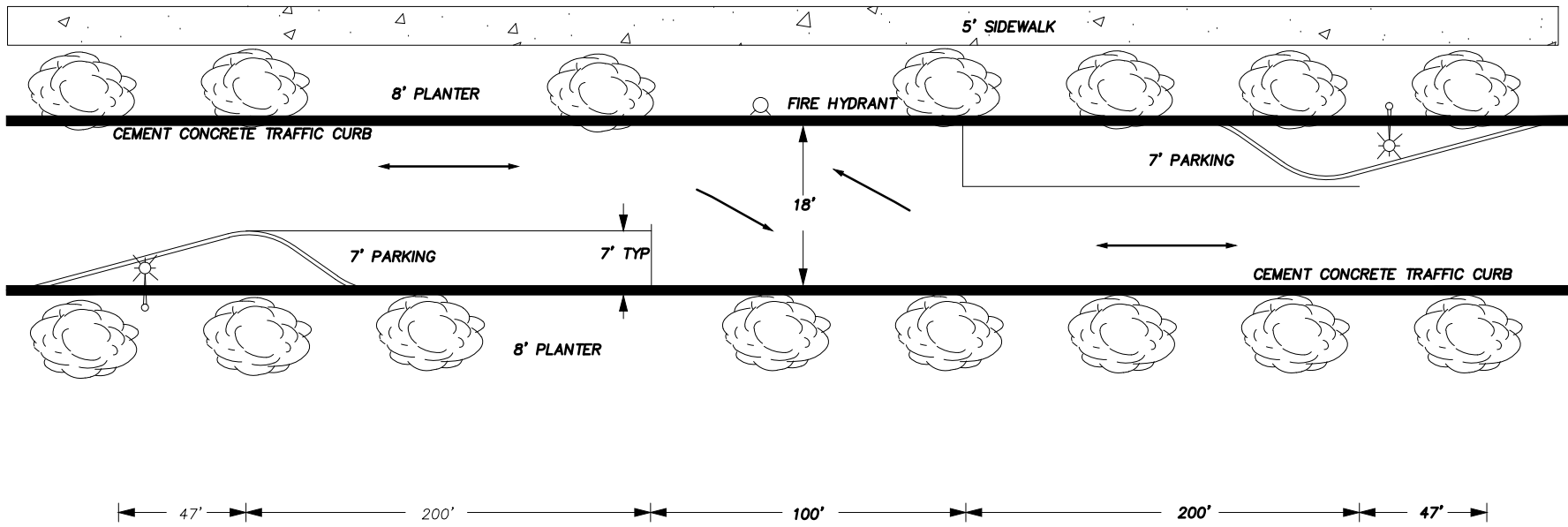


DIMENSIONS = FEET

LOCAL ACCESS	PRIVATE UTILITY EASEMENT	SIDEWALK	PLANTING STRIP	PARKING	LANE	R/W BEHIND SIDEWALK	CURB	PLANTING STRIP	R/W BEHIND PLANTING	R/W	SEE STANDARD PLAN 4-6A FOR MINIMUM STRUCTURAL DESIGN AND STREET CROSS SLOPE DESIGN
	A	B	C	D	E	F	G	H	J	K	
TWO-WAY SECTION	10	5	8		9	1	0.5	2	8	1	41
ALTERNATING TRAFFIC SECTION	10	5	8	7	11	1	0.5	2	8	1	41
											SEE MINIMUM STREET DESIGN STANDARDS TABLE FOR ADDITIONAL DESIGN ELEMENTS
											ADT 0-500

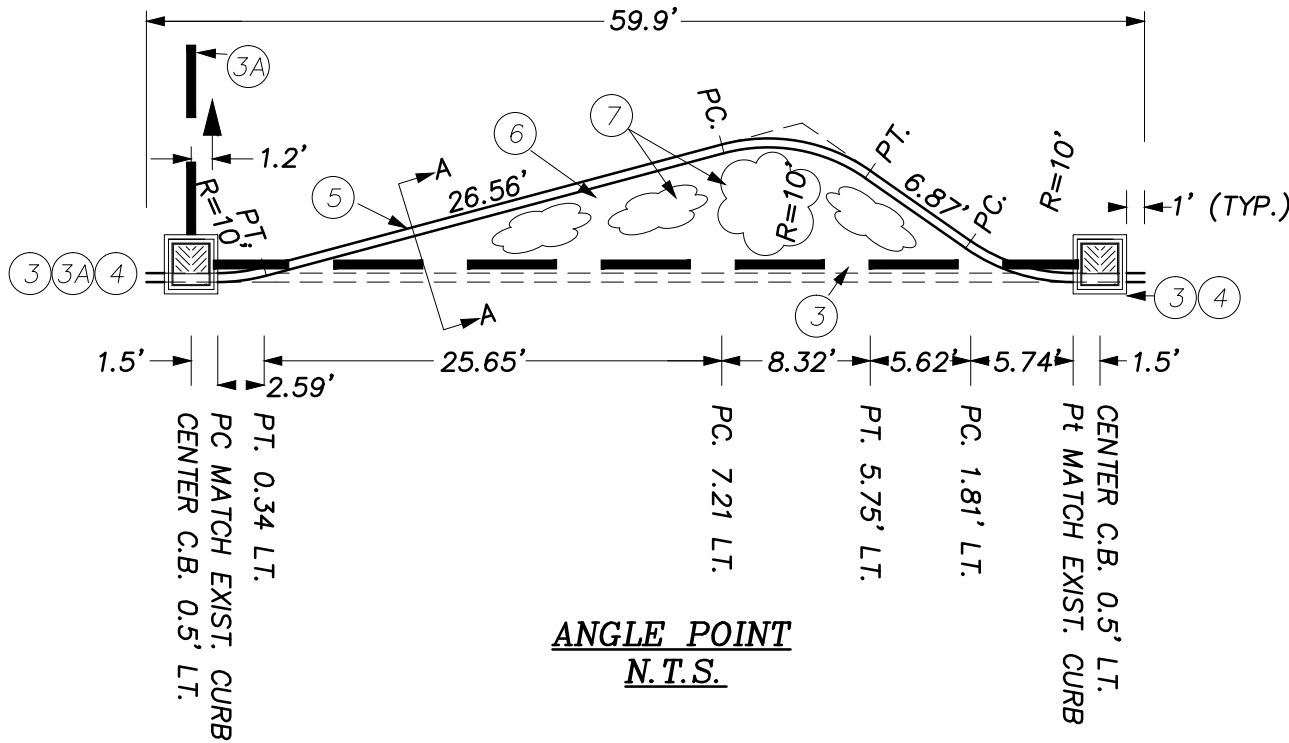
APPROVED BY	REVISED DATE	CITY OF OLYMPIA	STD. PLAN NO.
CITY ENGINEER	9/24/01	RESIDENTIAL LOW IMPACT LOCAL ACCESS	9-2A

SHEET 1 OF 2
9-2A.DWG

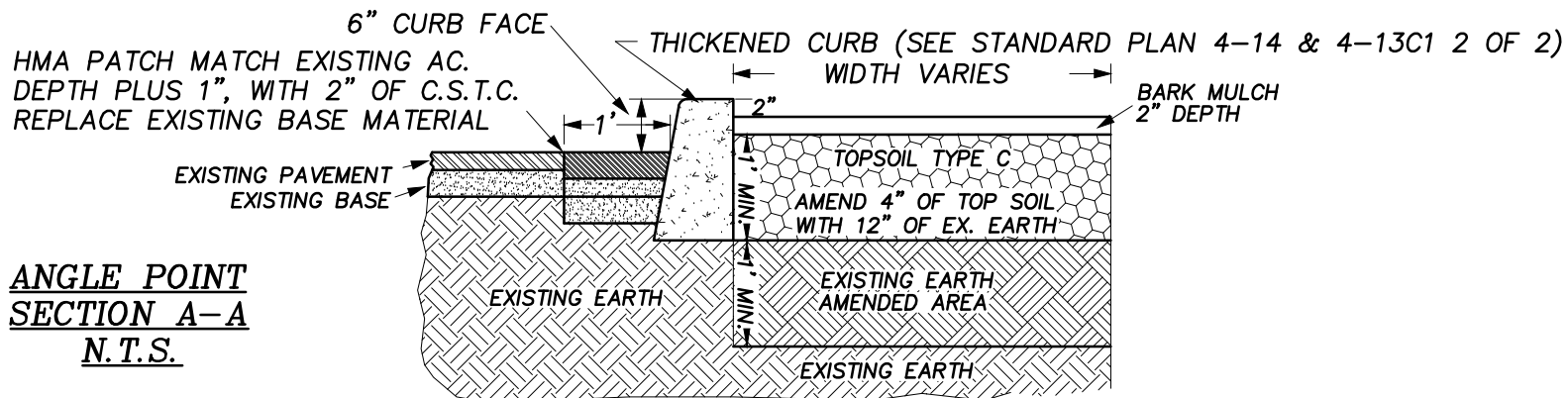


NOTE:
 DELINEATED PARKING AREAS WITH,
 CURBED ANGLE POINTS, SEE STD
 PLAN 9-3.

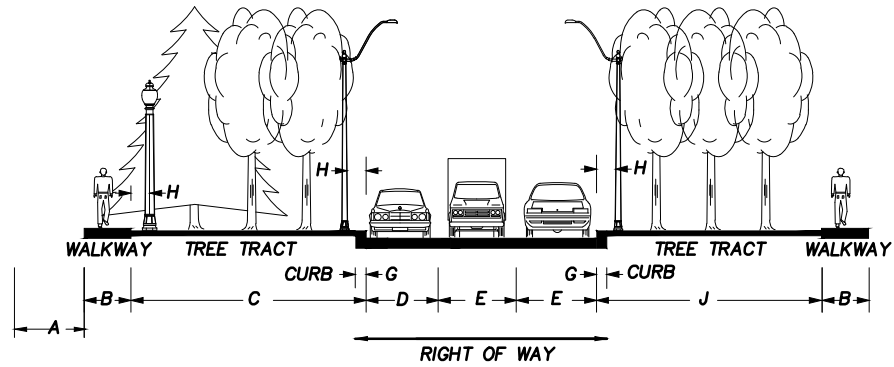
APPROVED BY	REVISED DATE	CITY OF OLYMPIA RESIDENTIAL LOW IMPACT LOCAL ACCESS	STD. PLAN NO.
CITY ENGINEER	2/27/08		9-2B SHEET 2 OF 2 9-2B.DWG



- NOTES:**
3. IF NO STORM DRAINAGE LINE EXISTS, INSTALL 51± L.F. OF 12" STORM SEWER PIPE. MAINTAIN 2.0' MINIMUM COVER OVER PIPE. STORM SEWER SLOPE TO MATCH GUTTER GRADE.
 - 3.A IF STORM DRAINAGE LINE EXISTS, INSTALL 12" STORM SEWER PIPE ON THE UP HILL SIDE OF ANGLE POINT. MAINTAIN 2' MINIMUM COVER OVER PIPE. GRADE TO DRAIN.
 4. CATCH BASIN TYPE 1L TYP. (SEE W.S.D.O.T. STANDARD PLAN B-1a) HOODED CATCH BASIN FRAME & GRATE (SEE CITY OF OLYMPIA STANDARD PLANS 5-9 AND 5-9A)
 5. 59± LF. OF E5 CURB (SEE CITY OF OLYMPIA STANDARD PLAN 4-14)
 6. 1' DEEP OF TOP SOIL TYPE C.
 7. LANDSCAPING



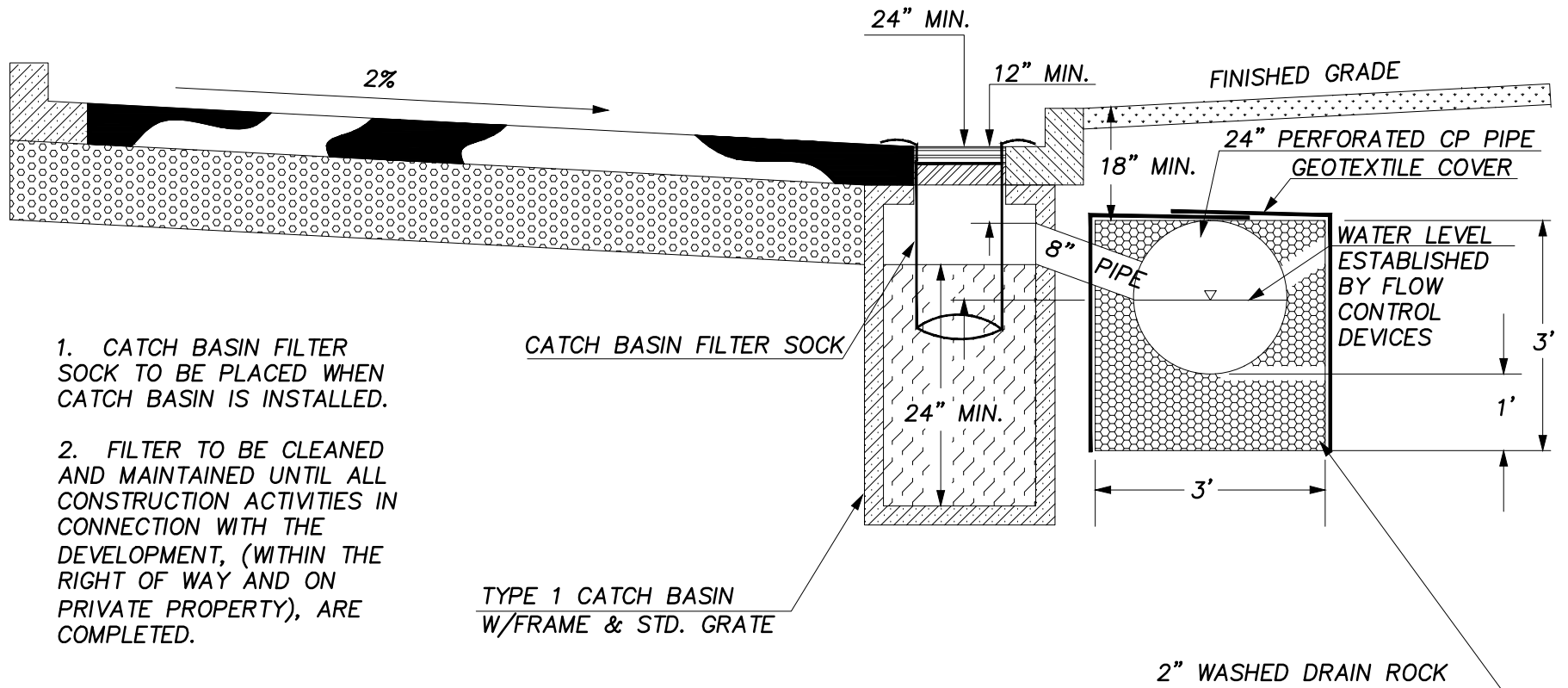
APPROVED BY	REVISED DATE	CITY OF OLYMPIA	STD. PLAN NO.
CITY ENGINEER	2/27/08	RESIDENTIAL LOW IMPACT ANGLE POINT DETAILS	9-3



DIMENSIONS = FEET

	PRIVATE UTILITY EASEMENT	WALKWAY	TREE TRACT	PARKING	LANE	CURB	TREE TRACT		
	A	B	C	D	E	G	H	J	R/W
	10	5	25	VARIES	VARIES	0.5	2	25	VARIES

APPROVED BY	REVISED DATE	CITY OF OLYMPIA RESIDENTIAL LOW IMPACT OPTIONAL TREE TRACT NEIGHBORHOOD COLLECTOR/LOCAL ACCESS	STD. PLAN NO.
CITY ENGINEER	9/24/01		9-4 SHEET 1 OF 1



1. CATCH BASIN FILTER SOCK TO BE PLACED WHEN CATCH BASIN IS INSTALLED.

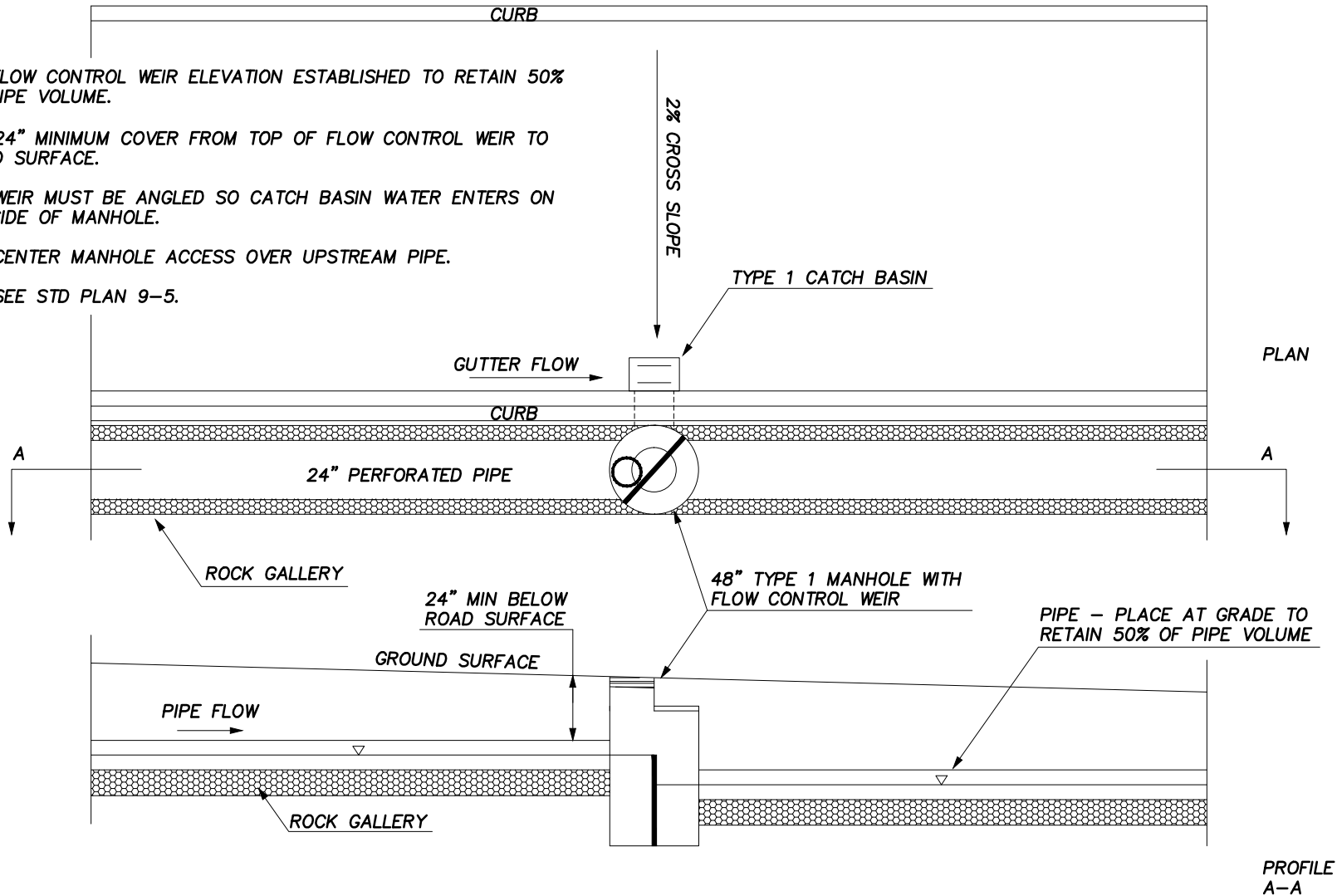
2. FILTER TO BE CLEANED AND MAINTAINED UNTIL ALL CONSTRUCTION ACTIVITIES IN CONNECTION WITH THE DEVELOPMENT, (WITHIN THE RIGHT OF WAY AND ON PRIVATE PROPERTY), ARE COMPLETED.

TYPE 1 CATCH BASIN
W/FRAME & STD. GRATE

NOT TO SCALE

APPROVED BY	REVISED DATE	CITY OF OLYMPIA	STD. PLAN NO.
	9/24/01	RESIDENTIAL LOW IMPACT	9-5
CITY ENGINEER		TYPICAL SECTION - PIPE/ROCK GALLERY	

1. FLOW CONTROL WEIR ELEVATION ESTABLISHED TO RETAIN 50% OF PIPE VOLUME.
2. 24" MINIMUM COVER FROM TOP OF FLOW CONTROL WEIR TO ROAD SURFACE.
3. WEIR MUST BE ANGLED SO CATCH BASIN WATER ENTERS ON UP SIDE OF MANHOLE.
4. CENTER MANHOLE ACCESS OVER UPSTREAM PIPE.
5. SEE STD PLAN 9-5.



NOT TO SCALE

APPROVED BY	REVISED DATE	CITY OF OLYMPIA RESIDENTIAL LOW IMPACT PLAN AND PROFILE OF PIPE/ROCK GALLERY	STD. PLAN NO.
CITY ENGINEER	2/27/08		9-6