

Ordinance No. \_\_\_\_\_

**AN ORDINANCE OF THE CITY OF OLYMPIA, WASHINGTON, RELATING TO  
CRITICAL AREAS AND AMENDING SECTION 18.02.180 AND CHAPTER 18.20  
AND 18.32 OF THE OLYMPIA MUNICIPAL CODE**

WHEREAS, Olympia Municipal Code (OMC) Chapter 18.32 contains the City's development regulations pertaining to the protection of critical areas located within the City of Olympia; and

WHEREAS, OMC Section 18.02.180 contains definitions pertaining, in part, to critical areas; and

WHEREAS, OMC Chapter 18.20 contains the City's Shoreline Master Program Regulations; and

WHEREAS, the City contracted with a consultant who 1) performed research on the standards and requirements for regulating critical areas, including protection of locally important habitat and species, 2) considered guidance available from state agencies including the Department of Ecology and the Department of Fish and Wildlife, and 3) consulted with experts in the disciplines covered by these regulations; and

WHEREAS, the environmental impacts of the amendments to the Critical Areas Regulations resulted in the issuance of a Determination of Non-Significance (DNS) on January 10, 2017, with no appeals filed; and

WHEREAS, the City of Olympia Planning Commission (the Planning Commission) considered the proposed Critical Areas and Shoreline Master Program Regulations amendments at a properly noticed public hearing on January 23, 2017, so as to receive public testimony; and

WHEREAS, at its February 27, 2017 meeting, the Planning Commission voted unanimously to recommend approval of the proposed amendment; and

WHEREAS, on July 11, 2017, the City Council discussed the proposed Critical Areas and Shoreline Master Program Regulations amendments at a properly noticed open public meeting; and

WHEREAS, pursuant to RCW 36.70A.370, the City used the process established by the Washington State Attorney General to assure the protection of private property rights; and

WHEREAS, pursuant to RCW 36.70A.106, on January 11, 2017, the City provided the Washington State Department of Commerce with a 60-day notice of its intent to adopt the amendment(s) to its Unified Development Code, OMC Title 18; and

WHEREAS, the City Council considered the entire public record, public comments, written and oral, and the Planning Commission's recommendation; and

WHEREAS, this Ordinance is supported by the staff report and materials associated with this Ordinance, including documents on file with the City of Olympia; and

WHEREAS, this Ordinance is also supported by the professional judgment and experience of the City staff who have worked on this proposal; and

WHEREAS, City Staff are known to the City Council, and staff's curriculum vitae shall be part of the record in support of this Ordinance; and

WHEREAS, Chapters 35A.63 and 36.70A RCW and Article 11, Section 11 of the Washington State Constitution authorize and permit the City to adopt this Ordinance; and

WHEREAS, the City Council determined that the proposed amendments are in accord with the Comprehensive Plan, will not adversely affect the public health, safety, or general welfare, and are in the best interest of the citizens and property owners of the City; and

WHEREAS, the City Council determined that the proposed amendments are consistent with the goals and requirements of the Growth Management Act; and

WHEREAS, it is the Council's expectation that this Ordinance will not be published as required by law until it is approved by the Washington State Department of Ecology (DOE); and

WHEREAS, once DOE approves the Ordinance, then it may be published as required by law;

**NOW, THEREFORE, THE OLYMPIA CITY COUNCIL ORDAINS AS FOLLOWS:**

**Section 1. Amendment of OMC 18.02.180. Olympia Municipal Code Subsection 18.02.180.L is hereby amended to read as follows:**

**18.02.180 Definitions**

L. DEFINITIONS – SPECIFIC.

Lake. A naturally existing or artificially created body of standing water greater than twenty (20) acres in size. Lakes include reservoirs which exist on a year-round basis and occur in a depression of land or expanded part of a stream. A lake is bounded by the ordinary high water mark or the extension of the elevation of the lake's ordinary high water mark within the stream, where the stream enters the lake. All lakes meet the criteria of RCW Chapter 90.58 (Shoreline Management Act) and have been inventoried as "Shorelines of the State" found in the Shoreline Master Program, ~~for the Thurston Region in OMC 18.20.~~

Land Use Approval. A written approval or permit issued by the Director or Hearing Examiner, or designee thereof, finding that a proposed project is consistent with applicable plans, regulations and standards and authorizing the recipient to make use of property in a certain manner. The land use approval consolidates various non-construction permit reviews of a project such as design review, environmental review, zoning conformance, and site plan review. Land Use Approval is a permit which does not directly authorize construction or improvements to real estate, but which is a necessary and required precursor to authorization of such construction or improvement. Land Use Approval includes, but is not limited to, applications for review and approval of a preliminary or final subdivision, short plat, binding site plan, conceptual or detailed master planned development, planned residential development, conceptual design review, site plan review, conditional use permit, variance, shoreline development permit, or other such reviews pertaining to land use.

Land Use Approval, Administrative. A Land Use Approval which may be issued by an authorized official or body, usually the Director, without an open record predecision hearing.

Land Use Approval, Quasi-Judicial. A Land Use Approval issued by an authorized official or body, usually the Hearing Examiner, following an open record predecision hearing.

Landscape Plan. A component of a site development plan on which is shown: proposed landscape species (number, spacing, size at time of planting, and plant details); proposals for protection of existing vegetation during and after construction; proposed treatment of hard and soft surfaces; proposed decorative features; grade changes; buffers and screening devices; and any other information that can reasonably be required in order that an informed decision can be made by the approving authority.

Landscape Structure. A fence, wall, trellis, statue or other landscape and ornamental object.

Landscaping. An area devoted to or developed and maintained predominantly with native or non-native plant materials including lawn, groundcover, trees, shrubs, and other plant materials; and also including accessory decorative outdoor landscape elements such as ornamental pools, fountains, paved or decorated surfaces (excluding driveways, parking, loading, or storage areas), and sculptural elements.

Landslide. Episodic down-slope movement of a mass of soil or rock that includes but is not limited to rockfalls, slumps, mudflows, earthflows and snow avalanches.

Large Lot Subdivision. The division of land into lots or tracts, each of which is 1/128 of a section of land or larger, or five acres or larger if the land is not capable of description as a fraction of a section of land.

Laundry and Laundry Pick-up Agency. An enterprise where articles of clothing, linen, etc. are washed, including self-service laundries as well as those where customers drop off articles to be laundered either on or off the premises, or dry-cleaned off the premises only. This includes diaper services, but not the following, which are classified as Light Industrial uses: dry-cleaning plants, linen supply services, carpet and upholstery cleaning plants, and industrial launderers.

Legal Lot of Record. A lot of a subdivision plat or binding site plan or a parcel of land described in a deed either of which is officially recorded to create a separate unit of property, provided that such plat, site plan, or deed shall accord with applicable local, state or federal law on the date created. Separate descriptions of adjoining parcels within a single deed shall not necessarily constitute separate legal lots of record.

Local Improvement. A public improvement for the benefit of property owners provided to a specific area that benefits that area and that is usually paid for, at least in part, by a special assessment.

Lodging House. See Dwelling, Transient.

Lot. Lands having fixed boundaries, being of sufficient area and dimension to meet minimum zoning requirements for width and area. The term shall also include tracts and parcels. Lot classifications are as follows:

- a. Lot, Corner. A lot that abuts two (2) or more intersecting streets.
- b. Lot, Flag or Panhandle. A lot with less than thirty (30) feet of street frontage which is typically connected to a public or private street by a narrow driveway. A lot where access is only provided by a private easement is not a flag lot.
- c. Lot, Interior. A lot that has frontage on one public or private street only, or is provided access by a private easement.
- d. Lot, Through. A lot that fronts on two (2) parallel or nearly parallel streets that do not intersect at the boundaries of the lot.
- e. Lot, Wedge-shaped. A lot with a street frontage which is no more than half as wide as the lot's width at the rear property line, as depicted in Figure 2-5b.

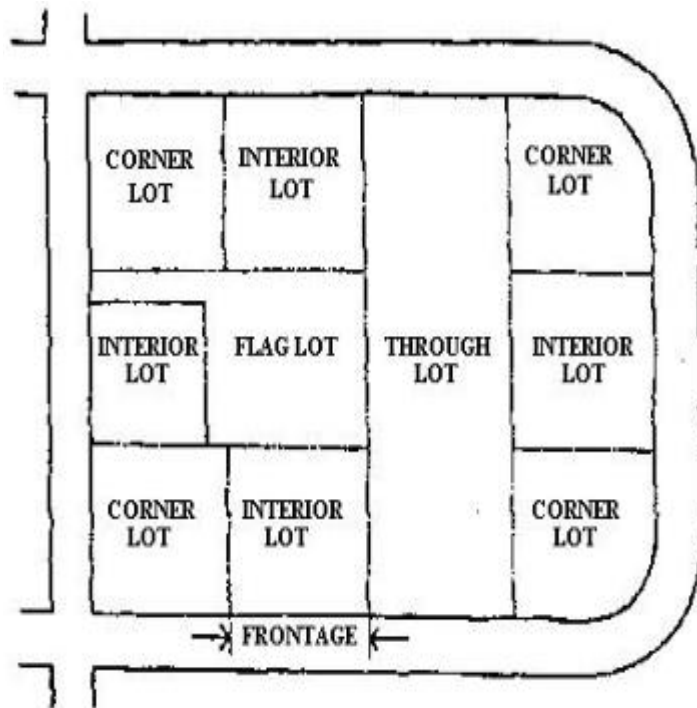
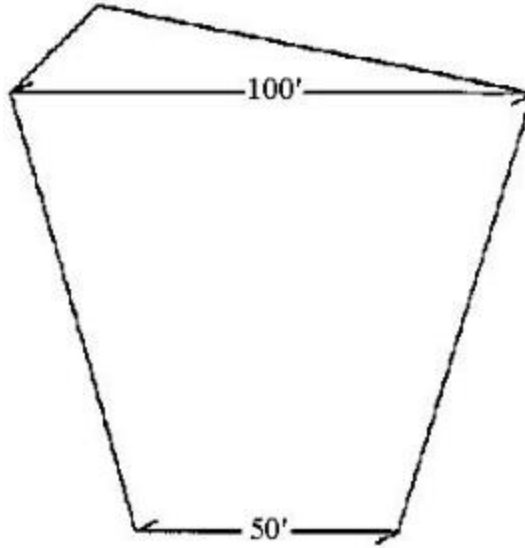


FIGURE 2-5



**Example of a Wedge-Shaped Lot**

**FIGURE 2-5b**

Lot Frontage. See Frontage.

Lot Line. A line dividing one lot from another lot or from a street rights-of-way or alley. (See also Property Line.)

Lot of Record. A lot, the plat, or deed to which is officially recorded as a unit of property and is described by metes and bounds.

Lot, Substandard. A parcel of land that is less than the minimum area or minimum dimensions required in the zone in which the lot is located. (See also Minimum Lot Size, Undersized Lots in development standards.)

Lot Width. The straight line distance measured between side lot lines parallel to the front setback line. (See also Section 18.04.080(G)(1) and Table 4.04.)

Low Income Housing. See Affordable Housing.

**Section 2. Amendment of OMC 18.02.180. Olympia Municipal Code Subsection 18.02.180.0 is hereby amended to read as follows:**

**18.02.180 Definitions**

O. DEFINITIONS - SPECIFIC.

Object. A thing of functional, aesthetic, cultural, historical, or scientific value that may be, by nature or design, movable yet related to a specific setting or environment.

Off-Site Treatment and Storage Facility. A facility that treats or stores hazardous wastes or special incinerator ash generated on properties other than the property on which the off-site facility is located. (See also current edition of "Zoning Guidelines for Hazardous Waste Treatment and Storage Facilities," prepared by the Solid and Hazardous Waste Program of the State Department of Ecology.)

Office. A building or portion thereof which is primarily used to transact the administrative or professional activities of a business. Such uses include, but are not limited to: medical (excluding veterinary), dental, chiropractic, optometric, legal, banking, insurance, real estate, security brokers, administrative, public, contractors, consultants, corporate, or manufacturers' offices. (See also Home Occupation.)

Office, Bank. Banks, savings and loans, credit unions, and other depository institutions.

Office, Business. The offices of real estate agencies, mortgage brokers, advertising agencies, credit agencies, mailing services and postal substations, employment agencies, insurance agencies, membership organizations except fraternal organizations, accountants, attorneys, security brokers, financial advisors, architects, engineers, surveyors, tax preparation services, computer software development, and other similar business services. This may also include the administrative offices for businesses whose primary activity may be construction, manufacturing, utility services, or some other non-office use conducted elsewhere.

Office, Government. The legislative, administrative, service delivery, or judicial offices of local, state, or federal agencies. It also includes federal post offices where mail processing takes place for local delivery. It does not include government land uses such as maintenance facilities for government-owned trucks, busses, or heavy equipment which are a Light Industrial use.

Office, Medical. This includes the offices of doctors, dentists, chiropractors, optometrists, and other health practitioners providing outpatient care. It also includes medical and dental laboratories, blood banks, and the like.

Office Supplies and Equipment Stores. Stores selling office products such as stationery, legal forms, writing implements, typewriters, computers, copiers, office furniture, and the like.

Office Uses, General. A room or group of rooms used for conducting the affairs of a business and generally furnished with desks, tables, files, and communication equipment.

Office, Veterinary/Clinic. A place where animals are given medical care and the boarding of animals is limited to short-term care incidental to the hospital use. (See also Animal Hospital.)

Olympia Coordinate System. The horizontal ground scale coordinate system referenced to the Washington Coordinate System as established by the City Public Works Department.

On-Site. Located on the same lot that is the subject of an application for development.

On-Site Treatment and Storage Facility. A facility that treats or stores hazardous wastes generated on the same property, see current edition of "Zoning Guidelines for Hazardous Waste Treatment and Storage Facilities," prepared by the Solid and Hazardous Waste Program of the State Department of Ecology.

Open Record Hearing. A hearing conducted by a single hearing body or officer that creates the City's record through testimony and submission of evidence and information under procedures prescribed by this Title. [See RCW 36.70B.020 (3)].

Open Record Appeal Hearing. A form of open record hearing held on request in response to a notice of decision when no open record predecision hearing was held on the project permit. [See RCW 36.70B.020 (3)].

Open Record Predecision Hearing. A form of open record hearing held prior to the City's decision on a project permit. [See RCW 36.70B.020 (3)].

Open Space, Common. Land within or related to a development, not individually owned or dedicated for public use, that is designed and intended for the common use or enjoyment of the residents and may include such complementary structures and improvements as are necessary and appropriate.

Open Space, Public. Undeveloped public land that is permanently set aside (as opposed to regulated) to protect the special natural character of a particular location. Open space may include, but is not limited to wetlands; wetland buffers; creek, stream or river corridors; forested areas; ravines, bluffs or other geologically hazardous areas; and undeveloped areas within parks.

Ordinary High Water Mark (OHWM). (Also referred to as Ordinary High Water Line OHWL) Per WAC ~~22-110-029~~220-660-030, the mark on the shores of all waters that will be found by examining the bed and banks and ascertaining where the presence and action of waters are so common and usual and so long continued in ordinary years, as to mark upon the soil or vegetation a character distinct from that of the abutting upland, provided that in any area where the ordinary high water line cannot be found, the ordinary high water line adjoining saltwater shall be the line of mean higher high water, and the ordinary high water line adjoining freshwater shall be the elevation of the mean annual flood. ~~OHWM~~ OHWM is used to determine the location of standard buffer widths of streams as required under OMC 18.32.435(C)(1).

Ordinary Repair and Maintenance. Work for which a permit issued by the City is not required by law, and where the purpose and effect of such work is to prevent or correct any deterioration or decay of or damage to the real property or structure appurtenant thereto and to restore the same, as nearly as may be practicable, to the condition prior to the occurrence of such deterioration, decay or damage.

Outdoor Storage. The keeping of any goods, junk, material, merchandise, or vehicles in the same place for more than 24 consecutive hours.

Over Water. Location above the surface of the water, including placement of buildings on piling or floats.

Overlay Zone. A zoning district or specific plan that encompasses one or more underlying zones or areas and which imposes requirements in addition to those required by the underlying zone. (See also Overlay Districts in Article III.)

Owner of Property. The fee simple owner of real property according to Thurston County Auditor records.

**Section 3. Amendment of OMC 18.20.420. Olympia Municipal Code Section 18.20.420 is hereby amended to read as follows:**

**18.20.420 Critical Areas**

- A. All uses and development occurring within the shoreline jurisdiction shall comply with Chapter 18.32 (critical area regulations) and Chapter 16.70 (flood damage prevention), except as modified in (C) below.
- B. If there are any conflicts or unclear distinctions between this chapter and Olympia's critical area or flood damage prevention regulations, the requirements that are the most consistent with the Shoreline Management Act or Washington Administrative Code pertaining to shoreline management shall apply.
- C. Regardless of other provisions in Chapter 18.32, to ensure consistency with the shoreline Management Act critical areas within shoreline jurisdiction shall be subject to the following:
  - 1. In shoreline jurisdiction, critical area review and permit procedures will be incorporated into and conducted consistently with the associated shoreline permit or exemption review and approval.
  - 2. Stream and Important Riparian Area buffer reductions beyond twenty-five percent (25%) (~~OMC 18.32.435(H)~~) within shoreline jurisdiction shall require a shoreline variance.
  - 3. ~~In shoreline jurisdiction, OMC 18.32.515(B) does not apply. Furthermore, OMC 18.32.515(A) only applies to isolated Category III and IV wetlands, and impacts must be compensated for (the replacement ratios in OMC 18.32.550 apply in shoreline jurisdiction).~~
  - 4~~3~~. Stormwater facilities may be allowed in the outer twenty-five percent (25%) of Category III and IV wetland buffers in shoreline jurisdiction (OMC 18.32.525(~~K~~)) and only when no other location is feasible.
  - 5~~4~~. Utility lines may be allowed in the outer twenty-five percent (25%) of Category III and IV wetland buffers in shoreline jurisdiction (OMC 18.32.525(M)).
  - 6~~5~~. Locating stormwater facilities or utilities within wetlands or within any wetland buffer other than those specified in numbers 4 and 5 above shall require a shoreline variance (OMC 18.32.530(E) and (G)).



~~7. In shoreline jurisdiction, provisions allowing wetland buffer averaging (OMC 18.32.535(F)) and administrative wetland buffer reductions (OMC 18.32.535(G)) shall not be used together.~~

~~86.~~ Wetland buffer reductions beyond twenty-five percent (25%) ~~(OMC 18.32.535(H))~~ within shoreline jurisdiction shall require a shoreline variance.

~~97.~~ Identification of wetlands and delineation of their boundaries in shoreline jurisdiction shall be done in accordance with the approved federal wetland delineation manual and applicable regional supplements (OMC 18.32.580).

~~108.~~ Reasonable use exceptions (OMC 18.66.040) are not available for relief from critical area standards within the shoreline jurisdiction. Instead, applicants seeking relief from the critical area standards shall apply for a shoreline variance.

~~119.~~ New development or the creation of new lots that would cause foreseeable risk from geological conditions during the life of the development is prohibited.

~~1210.~~ Uses and activities that may be authorized within floodways are limited to those listed in WAC 173-26-221 (3)(c)(i).

~~13. In shoreline jurisdiction, the point scale used to separate wetland categories in OMC 18.32.510 does not apply. Category I wetlands are those that score 23 or more points, category II wetlands are those that score between 20 and 22 points, category III wetlands are those that score between 16 and 19 points, and category IV wetlands are those that score fewer than 16 points.~~

**Section 4. Amendment of OMC 18.20.810. Olympia Municipal Code Section 18.20.810 is hereby amended to read as follows:**

**18.20.810 Permitted Shoreline Modifications**

Shoreline modifications may be allowed by shoreline environment designation as listed in Table 7.1. Aquatic environment provisions are based on the adjacent environment designation, including permitted with a Shoreline Substantial Development Permit or exemption (P), Shoreline Conditional Use permit (C), or prohibited outright (X). This table shall be used in conjunction with the written provisions for each use. Column notes provide additional clarification and identify other applicable City regulations.

**Table 7.1 – Shoreline Modifications**

<b>P – Permitted C – Conditional Use X – Prohibited X/C – Allowed by conditional use only in specific cases.</b>	<b>Natural</b>	<b>All other Shoreline Environments</b>	<b>Aquatic (Same as adjacent shoreline environment designation)</b>	<b>Notes &amp; Applicable Regulations</b>
<b>Dredging</b>	C (Only for Ecological Restoration/ Enhancement Projects)	P	←	See OMC 18.20.820
<b>Fill</b>	C (Only for Ecological Restoration/ Enhancement Projects)	P	←	See OMC 18.20.830 through 837
<b>Piers, Docks, Floats and Buoys</b>	X	P	←	See OMC 18.20. <del>842</del> 840 through 18.20.848
<b>Ecological Restoration and Enhancement</b>	P	P	←	See OMC 18.20.850 through 18.20.855
<b>Instream Structures</b>	P	P	←	See OMC 18.20.857
<b>Shoreline Stabilization Hard Armoring</b>	X	X/C See OMC 18.20.870	←	See OMC 18.20.860 through 18.20.870
<b>Shoreline Stabilization Soft Armoring</b>	P	P	←	See OMC 18.20.860 through 18.20.870
<b>Breakwaters, Jetties, Groins, and</b>	X	X/C See OMC	←	See OMC 18.20.872 through

**Table 7.1 – Shoreline Modifications**

<b>P – Permitted C – Conditional Use X – Prohibited X/C – Allowed by conditional use only in specific cases.</b>	<b>Natural</b>	<b>All other Shoreline Environments</b>	<b>Aquatic (Same as adjacent shoreline environment designation)</b>	<b>Notes &amp; Applicable Regulations</b>
<b>Weirs</b>		18.20.874		18.20.874
<b>Stair Towers</b>	X	X	←	Prohibited

**Section 5. Amendment of OMC 18.32.300. Olympia Municipal Code Section 18.32.300 is hereby amended to read as follows:**

**18.32.300 Important Habitats and Species - Purpose and Intent**

In order to preserve and protect important habitats and species which are known to occur in Thurston County and which may be found within the City of Olympia, and which are not already protected by another critical area category, appropriate protection of an important habitat or species location subject to the standards in OMC 18.32.305 through OMC 18.32.330. Protection in lake and marine shorelines is regulated under the City of Olympia Shoreline Master Program, Chapter 18.20 OMC.

**Section 6. Amendment of OMC 18.32.305. Olympia Municipal Code Section 18.32.305 is hereby amended to read as follows:**

**18.32.305 Important Habitats and Species - Applicability and Definition**

- A. Are designated as endangered or threatened species identified under the Endangered Species Act; or
- B. Are state priority species identified on the Washington Department of Fish and Wildlife (WDFW) Priority Habitats and Species (PHS) List and their habitats of primary association. (Consult the state WDFW for the current PHS list); or
- C. Are designated as "locally important habitat or species" pursuant to OMC 18.32.325; or
- Ⓓ. Are areas in Olympia that serve a critical role in sustaining needed habitats and species for the functional integrity of the ecosystem, and which, if altered, may reduce the likelihood that the species will persist over the long term. These areas may include, but are not limited to, rare or vulnerable ecological systems,

communities, and habitat or habitat elements including seasonal ranges, breeding habitat, winter range, and movement corridors; and areas with high relative population density or species richness.

DE. Small lakes, defined as naturally existing bodies of standing water less than twenty acres in size that exist on a year-round basis in a depression of land or expanded part of a stream and not defined as "Shorelines of the State" by RCW 90.58 (Shoreline Management Act), are considered an "important habitat." This term does not apply to constructed ponds.

**Section 7. Amendment of OMC 18.32.315. Olympia Municipal Code Section 18.32.315 is hereby amended to read as follows:**

**18.32.315 Important Habitats and Species - Authority**

A. No development shall be allowed in an important habitat and species area ~~where local, state or federally endangered, threatened or sensitive species have a primary association as defined in OMC 18.32.305~~ without approval from the Department. The Department may restrict the uses and activities of a development proposal, such as construction restrictions during breeding season, ~~which lie~~ when the proposal is located within one thousand (1,000) feet of an important habitat or species location.

B. The minimum performance standards that apply to a development proposal shall be those provided by the Washington Department of Fish & Wildlife's Management Recommendations for Washington's Priority Habitat and Species (1991), as amended, and the requirements in OMC 18.32.115, except as modified on the basis of an Important Habitat and Species Management Plan described in OMC 18.32.330.

**Section 8. NEW SECTION 18.32.325. A NEW SECTION 18.32.325 is hereby added to Chapter 18.32 of the Olympia Municipal Code to read as follows:**

**18.32.325 Process to Identify Additional Locally Important Habitat and Species.**

- A. Additional species of local importance may be designated pursuant to Chapter 18.58 OMC, zoning text amendment.
- B. In addition to the decision criteria of OMC 18.59.050, a species may be designated locally important only if it demonstrates the following characteristics:
  - 1. Local populations of native species are in danger of extirpation based on existing trends and best available science:
    - a. Local populations of native species that are likely to become endangered; or
    - b. Local populations of native species that are vulnerable or declining;
  - 2. The species or habitat has recreation, commercial, game, tribal, or other special value;
  - 3. Long-term persistence of a species is dependent on the protection of the species through the provisions of this part;

4. Protection by other county, state, or federal policies, laws, regulations, or nonregulatory tools is not adequate to prevent degradation of the species or habitat in the City; and
  5. Without protection, there is a likelihood that the species or habitat will be diminished over the long term.
- C. Effect of Designation. Designation of a species of local importance under this section shall not impact projects or proposals with a vested application or approved permit.

**Section 9. Amendment of OMC 18.32.500. Olympia Municipal Code Section 18.32.500 is hereby amended to read as follows:**

**18.32.500 Wetlands and Small Lakes - Purpose and Intent**

In order to protect the natural function of wetlands and "small lakes" for floodwater storage, floodwater conveyance, sediment control, pollution control, surface water supply, aquifer recharge, wildlife habitat, and recreation, those lands with wetlands and "small lakes" or which lie within three hundred (300) feet of wetlands and "small lakes" shall be subject to the standards in OMC 18.32.505 through OMC 18.32.595.

(Note: Further information regarding development within associated wetlands along marine shorelines, lakes over 20 (twenty) acres in size, and streams can be found in Chapter 18.20 OMC, Shoreline Master Program.)

**Section 10. Amendment of OMC 18.32.515. Olympia Municipal Code Section 18.32.5015 is hereby amended to read as follows:**

**18.32.515 Wetlands - Small Wetlands**

A. Wetlands less than one thousand (1,000) square feet shall be exempt from the requirements of OMC 18.32.135.A; wetland buffers in OMC 18.32.535, compensation projects in OMC 18.32.545 and replacement ratios in OMC 18.32.550 provided that the wetland or pond:

1. Is an isolated Category III or IV wetland;
2. Is not associated with a riparian corridor;
3. Is not part of a wetland mosaic; ~~and~~
4. Does not contain habitat identified as essential for local populations of priority species identified by the Washington State Department of Fish and Wildlife; ~~and~~
5. No part of the wetland is within shorelines of the State of Washington, except as authorized by OMC 18.20.420.C.3.

B. Wetlands between one thousand (1,000) and four thousand (4,000) square feet shall be exempt from the requirements of OMC 18.32.135.A, provided that the wetland:

1. Is rated as a Category III or IV wetland;~~;~~

2. Is not associated with a riparian corridor;
3. Is not part of a wetland mosaic;
4. Does not score 5 points or greater for habitat in the Washington State Wetland Rating System for Western Washington (2014);
5. Does not contain habitat identified as essential for local populations of priority species identified by the Washington State Department of Fish and Wildlife; ~~and~~;
6. A wetland mitigation report is provided as required by OMC 18.32.590;
7. No part of the wetland is within shorelines of the State of Washington.

**Section 11. Official Shoreline Map.** The current official Shoreline Map of the City of Olympia as referenced in OMC 18.20.310, Figure 4.1, is hereby replaced by the City of Olympia Shoreline Map attached hereto as Exhibit A.

**Section 12. Corrections.** The City Clerk and codifiers of this Ordinance are authorized to make necessary, non-substantive corrections to this Ordinance, including the correction of scrivener/clerical errors, references, ordinance numbering, section/subsection numbers and any references thereto.

**Section 13. Severability.** If any provision of this Ordinance or its application to any person or circumstance is held invalid, the remainder of the Ordinance or application of the provisions to other persons or circumstances shall remain unaffected.

**Section 14. Ratification.** Any act consistent with the authority and prior to the effective date of this Ordinance is hereby ratified and affirmed.

**Section 15. Effective Date.** This Ordinance shall take effect five (5) days after publication, as provided by law.

\_\_\_\_\_  
MAYOR

**ATTEST:**

\_\_\_\_\_  
CITY CLERK

**APPROVED AS TO FORM:**

\_\_\_\_\_  
CITY ATTORNEY

**PASSED:**

**APPROVED:**

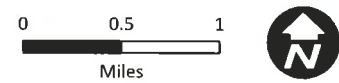
**PUBLISHED:**



# FIGURE 4.1 OLYMPIA SHORELINE MASTER PROGRAM

Shoreline Environment  
Designations 10/8/2015

-  AQUATIC
-  MARINE RECREATION
-  NATURAL
-  PORT MARINE INDUSTRIAL
-  SHORELINE RESIDENTIAL
-  URBAN CONSERVANCY
-  URBAN INTENSITY
-  WATERFRONT RECREATION
-  Roads
-  Urban Growth Area
-  Olympia City Limits
-  Tumwater/Lacey City Limits



DISCLAIMER: This map was created for internal City use only. The shoreline, right-of-ways, utilities and structures depicted on this map are based on information taken from historical records and aerial photos. The information has not been independently verified as complete or accurate. Access to such information is provided to the public as a matter of public record for general information only. The completeness and accuracy of this information should not be relied upon. Users are advised to reference all information through a private licensed professional. The City of Olympia and its personnel expressly disclaim any liability arising from commercial or private use of this map or the information or absence of information contained herein.