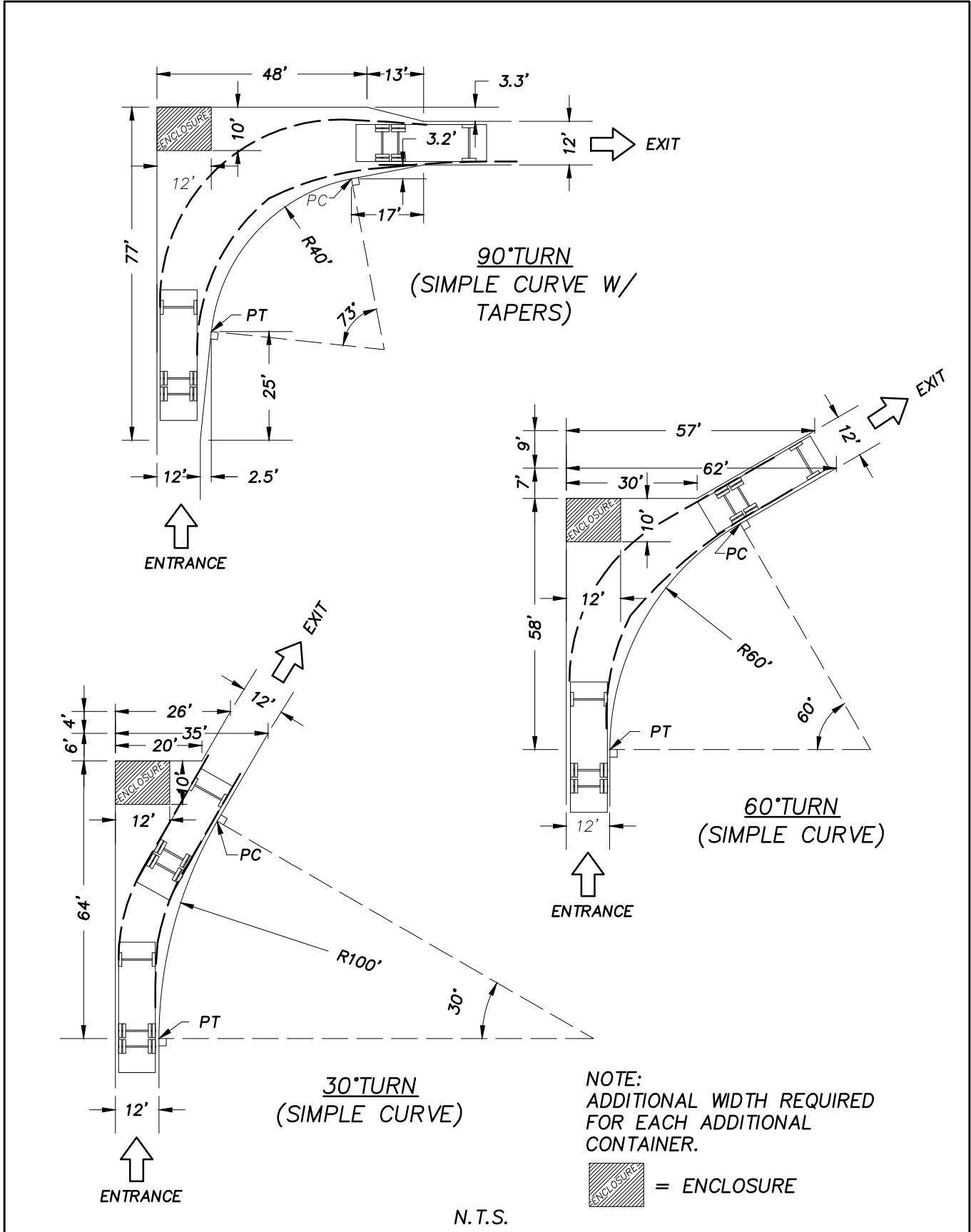


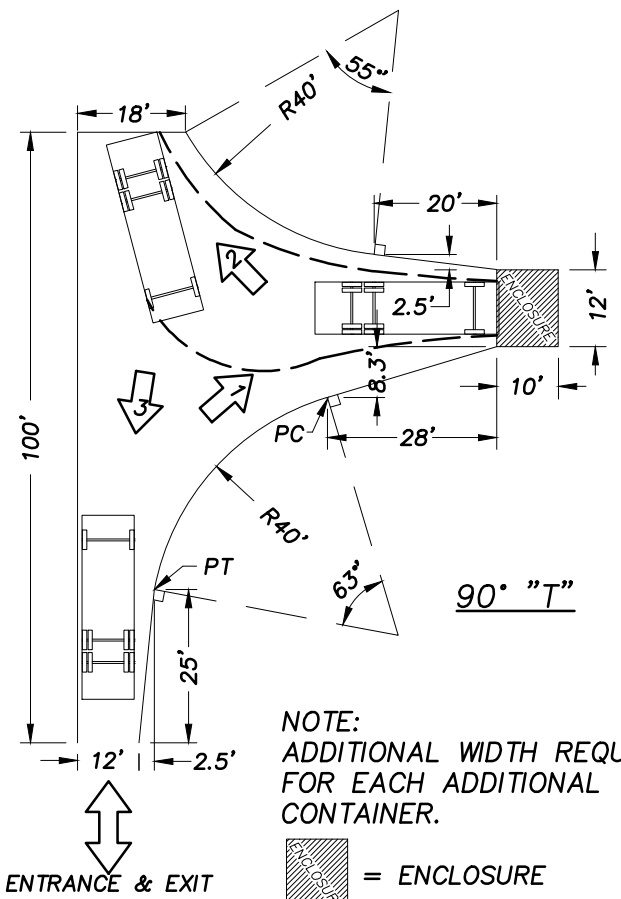
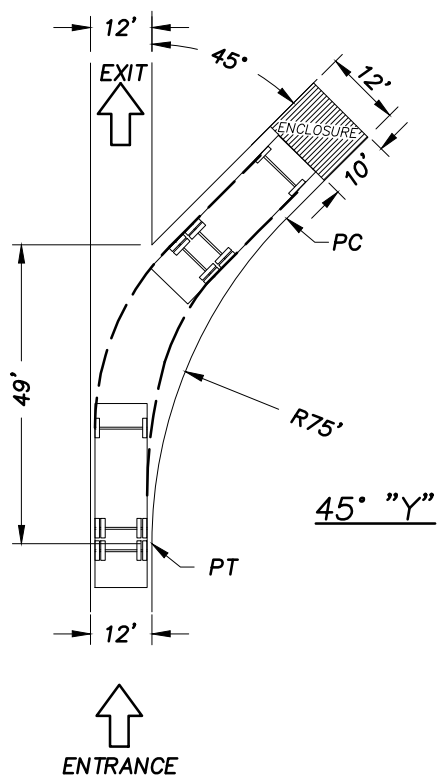
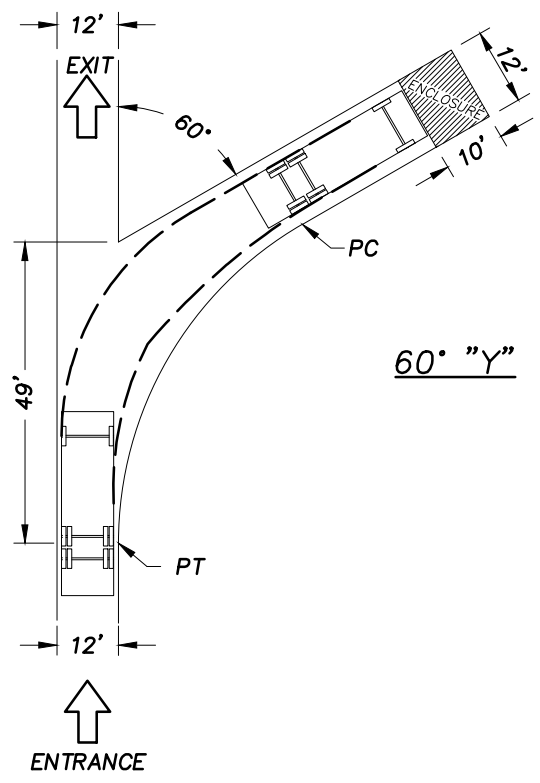
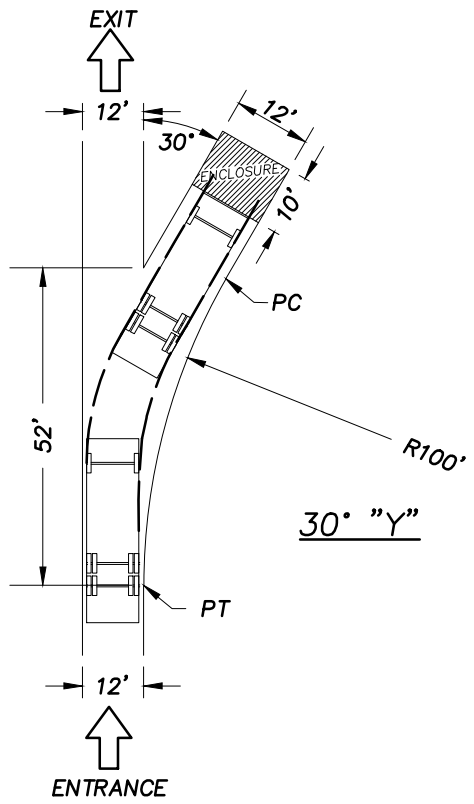
NOTE:  
 PAD DIMENSIONS (WIDTH AND DEPTH)  
 DO NOT INCLUDE ADDITIONAL AREA  
 NEEDED TO INSTALL ENCLOSURE  
 WALLS. ADD AREA AS NEEDED.

\*PLACEMENT OF GATE POSTS MUST  
 PROVIDE A MINIMUM OF 12' CLEAR  
 SPACE AT OPENING

APPROVED BY	REVISED DATE	CITY OF OLYMPIA	STD. PLAN NO.
CITY ENGINEER	6/28/06	SOLID WASTE CONCRETE PAD	8-1




APPROVED BY	REVISED DATE	<b>CITY OF OLYMPIA</b>	STD. PLAN NO.
	4//29/2011	MINIMUM DESIGN FOR FRONT LOAD	8-2A
CITY ENGINEER			



N.T.S.

NOTE:  
ADDITIONAL WIDTH REQUIRED  
FOR EACH ADDITIONAL  
CONTAINER.

 = ENCLOSURE

APPROVED BY	REVISED DATE	CITY OF OLYMPIA	STD. PLAN NO.
	4/29/2011	MINIMUM DESIGN FOR FRONT LOAD	8-2B
CITY ENGINEER			