

Ordinance No. _____

AN ORDINANCE OF THE CITY OF OLYMPIA, WASHINGTON, ESTABLISHING REGULATIONS FOR SHORT-TERM RENTAL LODGING AND AMENDING OLYMPIA MUNICIPAL CODE SECTIONS 18.02.180, 18.04.040, 18.04.060, 18.05.040, 18.06.040, 18.38.100, 18.43.130 AND 18.72.100

WHEREAS, Olympia has experienced an increase in the number of residential units being made available for rental lodging on a short-term basis (less than 30 days) in the past five years; and

WHEREAS, the Olympia City Council recognizes that revenue from owning and managing short-term rentals can be beneficial to Olympia residents, and an increase in visitors staying in these units can benefit local businesses; and

WHEREAS, a 2020 Regional Housing Needs Assessment completed by the cities of Olympia, Lacey, and Tumwater documents a shortage of supply of permanent, long-term housing units relative to the demand driven by population growth, a major factor in rising rental and housing costs; and

WHEREAS, in 2019, the City held numerous public meetings and created a webpage regarding Short-Term Rental Regulations as a means of gathering input from the public and providing project information and updates that are accessible at the public's convenience; and

WHEREAS, based on review of the Olympia Municipal Code ("OMC") and input from the public, staff drafted proposed amendments to multiple sections of Title 18 OMC ("Proposed Amendments"); and

WHEREAS, on March 10, 2021, the Proposed Amendments were sent to the Washington State Department of Commerce Growth Management Services with the Notice of Intent to Adopt Development Regulation amendments as required by RCW 36.70A.106; and

WHEREAS, on April 8, 2021, the City of Olympia issued a Determination of Non-Significance pursuant to the State Environmental Policy Act (SEPA) on the Proposed Amendments; and

WHEREAS, the Washington State Legislature has recognized the impacts of short term rentals by enacting regulations codified in Revised Code of Washington Chapter 64.37; and

WHEREAS, on April 8, 2021, notice of the public hearing for the Proposed Amendments was published in *The Olympian* newspaper pursuant to Chapter 18.78 OMC, Public Notification; and

WHEREAS, on _____, 2021, the Olympia Planning Commission held a public hearing on the Proposed Amendments; and

WHEREAS, the Olympia Planning Commission deliberated on _____, 2021 (Add any additional dates), and provided to the City Council its recommendation to amend multiple sections of Title 18 OMC, Unified Development Code, as proposed; and

WHEREAS, the Proposed Amendments are consistent with the Olympia Comprehensive Plan and other chapters of Title 18 OMC; and

WHEREAS, the Attorney General Advisory Memorandum: Avoiding Unconstitutional Takings of Private Property (December 2006) was reviewed and used by the City in objectively evaluating the proposed development regulations amendments; and

WHEREAS, Chapters 35A.63 and 36.70A RCW and Article 11, Section 11 of the Washington State Constitution authorize and permit the City to adopt this Ordinance; and

WHEREAS, the City Council finds it to be in the best interest of the City of Olympia to adopt the short-term rental regulations herein to achieve an appropriate balance of short-term rental units and permanent, long-term housing;

NOW, THEREFORE, THE OLYMPIA CITY COUNCIL ORDAINS AS FOLLOWS:

Section 1. Amendment of OMC 18.02.180.D. Olympia Municipal Code Subsection 18.02.180.D is hereby amended to read as follows:

D. DEFINITIONS - SPECIFIC.

Dangerous Waste. Any discarded, useless, unwanted or abandoned substances, including but not limited to certain pesticides, or any residues or containers of such substances which are disposed of in such quantity or concentration as to pose a substantial present or potential hazard to human health, wildlife, or the environment because such wastes or constituents or combinations of such wastes:

- a. Have short-lived, toxic properties that may cause death, injury or illness or have mutagenic, teratogenic or carcinogenic properties; or
- b. Are corrosive, explosive, flammable or may generate pressure through decomposition or other means. (See also Hazardous Waste, Extremely.)

Date of Filing. The date that a complete and accurate application is submitted and appropriate fees paid.

Days. Consecutive calendar days unless otherwise stated.

Decorative Grille Work. Grille work which through the use of material, geometric pattern, configuration, embellishment, or artisanship exceeds the normal functional requirements. Parallel vertical bars - resembling a jail cell pattern - are not considered decorative grille work.

Dedication. The deliberate appropriation of land by an owner(s) for any general and public uses, reserving to themselves no other rights than such as are compatible with the full exercise and enjoyment of the public uses to which the property is to be devoted. The intent to dedicate shall be evidenced by the owner by the presentment for filing of a final plat, short plat or binding site plan which shows the dedication thereon. Acceptance by the public shall be evidenced by written approval issued by the city of such document for filing with the County Auditor.

Deficiency, Application. The lack of an element or information which results in an application being deemed not complete, or which otherwise prevents meaningful review and rendering of a decision regarding the application. A deficiency includes an element or information which is absent, is inaccurate or in some other aspect does not conform with applicable regulations and standards, and supplemental information or studies required to review an application. Erroneous or misleading information intentionally included in an application shall constitute a deficiency.

Department. The City of Olympia Community Planning and Development Department.

Design. The planning and engineering of street alignments, grades and widths; drainage and sanitary facilities and utilities, including alignment and grades thereof; location and size of all required easements and rights-of-way; fire roads and fire breaks; lot size and configuration; vehicle access; grading; land to be dedicated for park or recreational purposes; building and other accessory physical requirements.

Design Review. The evaluation of a site, building, landscape design plan or sign program submitted to the Design Review Board or staff, which may approve or deny the plan in part, or make further design recommendations based upon adopted guidelines.

Design Review Board. A committee with a balance of design professionals (architecture, planning, engineering, landscape architecture) and citizens who are appointed by the City Council.

Detached. Any building or structure that does not have a wall and roof in common with any other building or structure and where exterior walls are separated by six feet or more. (See Attached Structures; note that structures conforming with neither definition must conform with the requirements of this title for both types of structures).

Determination of Completeness. A written determination by the director or fire chief or their respective designees that all required elements of an application have been received by the City. This determination initiates the statutory review period for the application, if any, and subject to certain exceptions, entitles the applicant to have the application considered and reviewed pursuant to the laws, regulations and standards in effect on the date the application was complete.

Development. The division of a parcel of land into two or more parcels; the construction, reconstruction, conversion, structural alteration, relocation, or enlargement of any structure; any mining, excavation, landfill, clearing or land disturbance; or any change of use or extension of the use of land. (See also Improvement.)

Development Area, WCF. The area occupied by a wireless communications facility including areas inside or under the following: an antenna support structure's framework, equipment cabinets, ancillary structures and access ways.

Development Code. A text incorporating areas of regulation more typically presented in separate zoning and subdivision ordinances and related chapters of the Municipal Code.

Development Coverage. Except where the context indicates otherwise, "development coverage" has the same meaning as impervious coverage.

Development Permit. Any land use permit which must be approved prior to the improvement and development of land or structures.

Director. The Director of the City of Olympia Community Planning and Development Department, and the Director's designees.

District or Zone. A specific area designated on the official zoning map of the city as one of the use districts as provided for in this title; such area is subject to all the requirements and regulations applicable to such district.

Dormitory. A residential structure intended principally for sleeping accommodations, where no individual kitchen facilities are provided, and which is related to an educational or public institution or is maintained and operated by a non-profit welfare organization.

Drinking Establishment. A business primarily engaged in the retail sale of alcoholic beverages for consumption on the premises, including night clubs, bars, and taverns. A lounge operated as part of a restaurant is considered to be accessory to the restaurant.

Drinking Water Protection Area. See OMC [18.32.205](#).

Drip Line. An imaginary ground line around a tree or building that defines the outermost limits of the tree canopy or building roof eave.

Drive-in Theater. An open lot devoted primarily to the showing of motion pictures.

Drive-Through Restaurant. See Restaurant, Drive-Through.

Dwelling Unit. See definition for single-family. Various types of housing or human shelter, which are listed below and categorized by use.

a. Dwelling, Conventional.

i. **Accessory Dwelling Unit.** A dwelling unit that has been added onto, created within, or separated from a single-family detached dwelling for use as a complete independent living unit with provisions for cooking, sanitation and sleeping.

ii. **Apartment.** A dwelling within a structure designed and used for occupancy by three or more individual persons or families living independently of each other. These structures include triplexes, fourplexes, and other multi-unit configurations.

iii. **Boarding Home.** Any home or institution, however named, which is advertised, announced or maintained for the express or implied purpose of providing board and domiciliary care to three or more aged persons not related by blood or marriage to the operator, under the provisions of Chapter [18.20](#) RCW. It shall not include any home, institution or section thereof which is otherwise licensed and regulated under the provisions of state law providing specifically for the licensing and regulation of such home, institution or section thereof. (See also Dwelling, Assisted Living.)

iv. **Co-Housing.** Co-housing developments consist of two or more dwelling units, one or more shared community structures (e.g., containing a meeting hall, dining hall/kitchen, community center, or day care) and perhaps a community garden, recreation area, or similar community oriented use.

v. **Condominium.** A development consisting of an undivided interest in common for a portion of a parcel coupled with a separate interest in space in a residential or commercial building on the parcel.

vi. **Cottage Housing Development.** Four or more small, detached dwelling units sharing a commonly owned courtyard/common area and parking area.

- vii. Courtyard Apartment. A dwelling within a structure or small detached structures on one parcel designed and used for occupancy by four or more individual persons or families living independently of each other. The units are oriented around a shared open space courtyard from which all ground floor units have primary entrances facing.
- viii. Duplex. One building containing two single-family dwelling units totally separated from each other by a one-hour fire wall or floor.
- ix. Guest House. Living quarters without kitchen facilities located on the same lot with a principal building and occupied for the sole use of members of the family, temporary guests, or persons permanently employed on the premises. (See also Accessory Dwelling Unit.)
- x. Manufactured Home. A single-family residence constructed after June 15, 1976, and installed in accordance with the U.S. Department of Housing and Urban Development (HUD) requirements for manufactured housing and bearing the appropriate insignia indicating such compliance.
- xi. Manufactured Home, Designated. A manufactured home constructed after June 15, 1976, in accordance with state and federal requirements for manufactured homes, and which meets the requirements of OMC [18.04.060.O](#).
- xii. Manufactured Home, New. Any manufactured home required to be titled under Title [46](#) RCW, which has not been previously titled to a retail purchaser, and is not a "used mobile home" as defined in RCW [82.45.032\(2\)](#).
- xiii. Mobile Home. A single-family residence transportable in one or more sections, built on a permanent chassis, designed to be used as a permanent dwelling and constructed before June 15, 1976.
- xiv. Modular Home. A structure constructed in a factory and installed in accordance with the applicable Building Code and bearing the appropriate insignia indicating such compliance. This definition includes "pre-fabricated," "panelized" and "factory built" units.
- xv. Single-Family Dwelling. A single unit providing complete, independent living facilities for a family, including permanent provisions for living, sleeping, cooking and sanitation.
- xvi. Single-Room Occupancy. A housing type consisting of one room with cooking facilities and with shared bathroom facilities. (See also Boarding Home, Lodging House and Bed and Breakfast.)
- xvii. Townhouse. A single-family dwelling unit which is part of a group of two or more such units separated by a completely independent structural wall (including utilities in separate walls), extending from the ground to the roof in accordance with the applicable Building Code and which has no doors, windows or other provisions for human passage or visibility through the wall. In certain zoning districts, such dwelling units are platted with common side and/or rear property lines between the structural walls. See Chapter [18.64](#).
- xviii. Triplex. One building containing three single-family dwelling units totally separated from each other by a one-hour fire wall or floor.

xix. Fourplex. One building containing four single-family dwelling units totally separated from each other by a one-hour fire wall or floor.

xx. Sixplex. One building containing six single-family dwelling units totally separated from each other by a one-hour fire wall or floor.

b. Dwelling, Transient.

i. Bed and Breakfast. A dwelling for the purpose of providing lodging for travelers and guests for a period of less than two weeks for compensation and having at least one kitchen used to provide breakfast but no other meals. Such dwelling shall have no more than five such guest rooms for persons other than the immediate family of the operator occupying such dwelling. Any such dwelling having over five such guest rooms is a hotel.

ii. Hotel. Any building containing six or more guest rooms where lodging, with or without meals, is provided for compensation, and where no provisions are made for cooking in any individual room or suite.

iii. Lodging House. A dwelling having only one kitchen and used for the purpose of providing lodging, or lodging and meals, for compensation for no more than five persons other than the members of the immediate family of the operator occupying such dwelling. Any such dwelling having over five such guests is considered a hotel. (See also Boarding Home.) [NOTE: A lodging house allows for an unlimited stay, unlike a Bed and Breakfast which is limited to two weeks.]

iv. Motel. Guest rooms or suites occupied on a transient basis often with most rooms gaining access from an exterior walkway. (See also Recreational Vehicle.)

v. Short-Term Rental. A lodging use, that is not a hotel or motel or bed and breakfast, in which a dwelling unit, or a portion thereof, is offered or provided to a guest by a short-term rental operator for a fee for fewer than thirty (30) consecutive nights. (This definition has the same meaning as RCW 64.37.010(9)). (See also Short-Term Rental Operator).

vi. Short-Term Rental – Homestay. A type of short-term rental wherein rooms are rented within a dwelling unit that is occupied by a property owner or long-term rental tenant residing in that dwelling unit.

vii. Short-Term Rental – Vacation Rental. A type of short-term rental wherein an entire dwelling unit or portion thereof is rented and there is no property owner or long-term tenant residing in that dwelling unit.

viii. Trailer House. See Recreational Vehicle.

c. Dwelling, Assisted Living.

i. Adult Day Care Home. A residence in which adults (at least 18 years in age) and who are not related to the caregiver stay for no more than 12 hours per day. Emergency medical care may be provided in such facilities, but not convalescent care. (See also Convalescent Home and Elder Care Home.)

ii. Convalescent Home. Any home, place, institution or facility which provides convalescent or chronic care, or both, for a period in excess of 24 consecutive hours for three or more patients not related by blood or marriage to the operator, who by reason of illness or infirmity, are unable properly to care for themselves. Such establishment shall be duly licensed by the State of Washington as a "nursing home" in accordance with the provisions of Chapter [18.51](#) RCW.

iii. Congregate Care Facilities. A building or complex of dwellings specifically designed for occupancy by senior citizens which provides for shared use of facilities, such as kitchens, dining areas, and recreation areas. Such complexes may also provide kitchens and dining space in individual dwelling units. Practical nursing care may be provided, but not nursing care as described in Section [18.04.060](#)(S).

iv. Elder Care Home. An elder care home or adult family home in the primary residence of a person licensed pursuant to Chapter [70.128](#) RCW to provide personal care, room, and board for one to five adults (at least 18 years of age) who are not related to the caregiver. Home health care and limited nursing care (dispensing of medicine and emergency medical aid) may be provided, but not convalescent care. (See also Convalescent Home, and Boarding Home.)

v. Group Homes. A place of residence for the handicapped, physically or mentally disabled, developmentally disabled, homeless, or otherwise dependent persons. Group Homes are intended to provide residential facilities in a home-like environment. Such homes range from licensed establishments operated with 24 hour supervision to non-licensed facilities offering only shelter. They shall not include correctional facilities (except as authorized by Chapter [137-56](#) and [137-57](#) WAC for work/training release programs), nursing homes, Type III group care facilities, foster family homes, or adult family homes as defined by the Washington State Department of Social and Health Services or its successor agency. Group homes include, but are not limited to the following:

(a) Confidential Shelters. Shelters for victims of domestic violence as defined and regulated in Chapter [70.123](#) RCW and Chapter [388-61A](#) WAC. Such facilities are characterized by a need for confidentiality.

(b) Home for the Disabled. A home or other facility which provides board and domiciliary care to individuals who, by reason of infirmity, require such care. An infirmity may be based on conditions including, but not limited to, physical handicap, mental illness, and other developmental disabilities. These group homes are a type of boarding home, as defined and regulated in Chapter [18.20](#) RCW. However, boarding homes serving the aged infirm are not included in this definition.

(c) Homeless Shelter. A facility offering lodging and/or emergency shelter to homeless individuals for an indefinite period of time and meeting the standards of Chapter [248-144](#) WAC.

(d) Group Home for Youth. Any home maintained and operated for the care of children on a 24 hour basis as defined and regulated in Chapter [388-73](#) WAC and Chapter [74.15](#) RCW.

(e) Group Home for Offenders. A home or other facility operated for housing and supervision of work/training release residents during their stay in a work/training release program as defined and regulated in Chapters [137-56](#) and [137-57](#) WAC.

vi. Hospice Care Center. Facilities licensed under Chapter [70.41](#) RCW which provide for the emotional and physical care of terminally ill patients. Such centers provide food, lodging, and palliative care on a full-time (24 hour) basis for two or more people, unrelated to the Center's operator, who are in the latter stages of a disease expected to cause death.

vii. Nursing Homes. See Convalescent Home.

viii. Rest Home. See Congregate Care.

Section 2. Amendment of OMC 18.02.180.L. Olympia Municipal Code Subsection 18.02.180.L is hereby amended to read as follows:

L. DEFINITIONS – SPECIFIC.

Lake. A naturally existing or artificially created body of standing water greater than twenty (20) acres in size. Lakes include reservoirs which exist on a year-round basis and occur in a depression of land or expanded part of a stream. A lake is bounded by the ordinary high water mark or the extension of the elevation of the lake's ordinary high water mark within the stream, where the stream enters the lake. All lakes meet the criteria of RCW Chapter [90.58](#) (Shoreline Management Act) and have been inventoried as "Shorelines of the State" found in the Shoreline Master Program, OMC [18.20](#).

Land Use Approval. A written approval or permit issued by the Director or Hearing Examiner, or designee thereof, finding that a proposed project is consistent with applicable plans, regulations and standards and authorizing the recipient to make use of property in a certain manner. The land use approval consolidates various non-construction permit reviews of a project such as design review, environmental review, zoning conformance, and site plan review. Land Use Approval is a permit which does not directly authorize construction or improvements to real estate, but which is a necessary and required precursor to authorization of such construction or improvement. Land Use Approval includes, but is not limited to, applications for review and approval of a preliminary or final subdivision, short plat, binding site plan, conceptual or detailed master planned development, planned residential development, conceptual design review, site plan review, conditional use permit, variance, shoreline development permit, or other such reviews pertaining to land use.

Land Use Approval, Administrative. A Land Use Approval which may be issued by an authorized official or body, usually the Director, without an open record predecision hearing.

Land Use Approval, Quasi-Judicial. A Land Use Approval issued by an authorized official or body, usually the Hearing Examiner, following an open record predecision hearing.

Landscape Plan. A component of a site development plan on which is shown: proposed landscape species (number, spacing, size at time of planting, and plant details); proposals for protection of existing vegetation during and after construction; proposed treatment of hard and soft surfaces; proposed decorative features; grade changes; buffers and screening devices; and any other information that can reasonably be required in order that an informed decision can be made by the approving authority.

Landscape Structure. A fence, wall, trellis, statue or other landscape and ornamental object.

Landscaping. An area devoted to or developed and maintained predominantly with native or non-native plant materials including lawn, groundcover, trees, shrubs, and other plant materials; and also including accessory

decorative outdoor landscape elements such as ornamental pools, fountains, paved or decorated surfaces (excluding driveways, parking, loading, or storage areas), and sculptural elements.

Landslide. Episodic down-slope movement of a mass of soil or rock that includes but is not limited to rockfalls, slumps, mudflows, earthflows and snow avalanches.

Large Lot Subdivision. The division of land into lots or tracts, each of which is 1/128 of a section of land or larger, or five acres or larger if the land is not capable of description as a fraction of a section of land.

Laundry and Laundry Pick-up Agency. An enterprise where articles of clothing, linen, etc. are washed, including self-service laundries as well as those where customers drop off articles to be laundered either on or off the premises, or dry-cleaned off the premises only. This includes diaper services, but not the following, which are classified as Light Industrial uses: dry-cleaning plants, linen supply services, carpet and upholstery cleaning plants, and industrial launderers.

Legal Lot of Record. A lot of a subdivision plat or binding site plan or a parcel of land described in a deed either of which is officially recorded to create a separate unit of property, provided that such plat, site plan, or deed shall accord with applicable local, state or federal law on the date created. Separate descriptions of adjoining parcels within a single deed shall not necessarily constitute separate legal lots of record.

Local Improvement. A public improvement for the benefit of property owners provided to a specific area that benefits that area and that is usually paid for, at least in part, by a special assessment.

Lodging House. See Dwelling, Transient.

Long Term Rental. A residential use, wherein a dwelling unit, or portion thereof, that is not a hotel, motel, bed and breakfast, or boarding home, is offered or provided to a person as a residence for a fee for thirty consecutive nights or more.

Lot. Lands having fixed boundaries, being of sufficient area and dimension to meet minimum zoning requirements for width and area. The term shall also include tracts and parcels. Lot classifications are as follows:

- a. Lot, Corner. A lot that abuts two (2) or more intersecting streets.
- b. Lot, Flag or Panhandle. A lot with less than thirty (30) feet of street frontage which is typically connected to a public or private street by a narrow driveway. A lot where access is only provided by a private easement is not a flag lot.
- c. Lot, Interior. A lot that has frontage on one public or private street only, or is provided access by a private easement.
- d. Lot, Through. A lot that fronts on two (2) parallel or nearly parallel streets that do not intersect at the boundaries of the lot.

e. Lot, Wedge-shaped. A lot with a street frontage which is no more than half as wide as the lot's width at the rear property line, as depicted in Figure 2-5b.

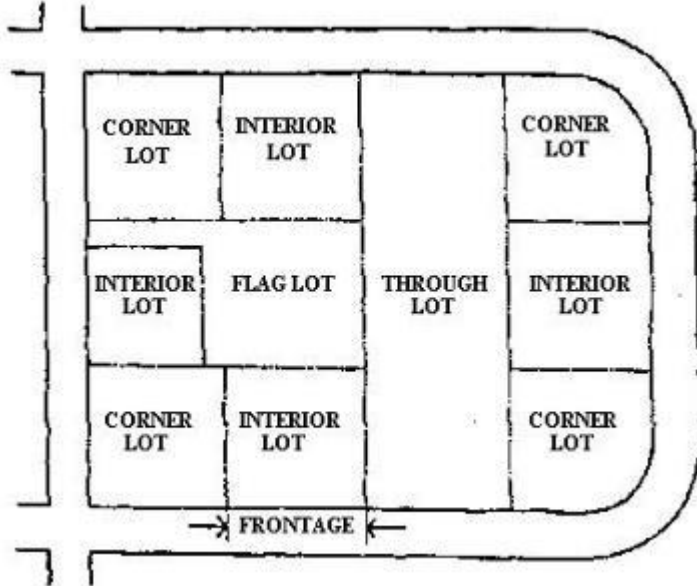
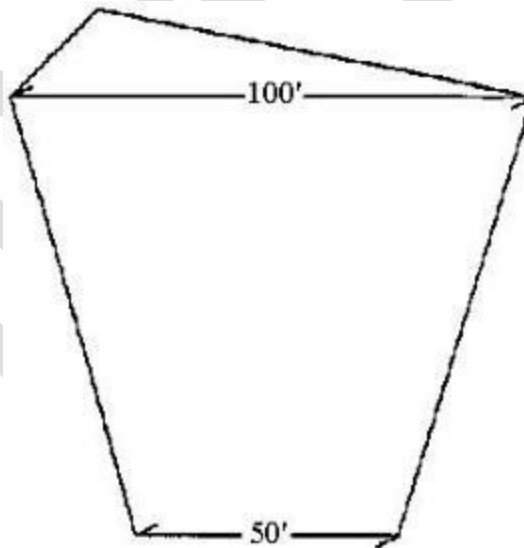


FIGURE 2-5



Example of a Wedge-Shaped Lot

FIGURE 2-5b

Lot Frontage. See Frontage.

Lot Line. A line dividing one lot from another lot or from a street right-of-way or alley. (See also Property Line.)

Lot of Record. A lot, the plat, or deed to which is officially recorded as a unit of property and is described by metes and bounds.

Lot, Substandard. A parcel of land that is less than the minimum area or minimum dimensions required in the zone in which the lot is located. (See also Minimum Lot Size, Undersized Lots in development standards.)

Lot Width. The straight line distance measured between side lot lines parallel to the front setback line. (See also Section [18.04.080\(G\)\(1\)](#) and Table 4.04.)

Low Income Housing. See Affordable Housing.

Section 3. Amendment of OMC 18.02.180.S. Olympia Municipal Code Subsection 18.02.180.S is hereby amended to read as follows:

S. DEFINITIONS – SPECIFIC.

Salmonid. A member of the fish family salmonidae, such as chinook, coho, chum, sockeye and pink salmon, rainbow, steelhead, cutthroat salmon, brown trout, bull trout, Brook and Dolly Varden char, kokanee and whitefish.

Sanitary Landfill. A site for solid waste (garbage) disposal.

Satellite Earth Station. A single or group of parabolic (or dish) antennas that are mounted to a support device that may be a pole or truss assembly attached to a foundation in the ground, or in some other configuration. A satellite earth station may include the associated separate equipment cabinets necessary for the transmission or reception of wireless communications signals with satellites.

Scale, Architectural. The perceived height and bulk of a building relative to that of neighboring buildings. A building's perceived height and bulk may be reduced by modulating facades.

Scenic Vistas. Those areas which provide, for significant numbers of people, outstanding views from public rights-of-way of Mt. Rainier, the Olympic Mountains, Budd Inlet, the Black Hills, the Capitol Building, and Capitol Lake or its surrounding hillsides.

School. An institution of learning, whether public or private, which offers instruction in those courses of study required by the Washington Education Code or which is maintained pursuant to standards required by the State Board of Education. This definition includes a nursery school, kindergarten, elementary school, junior high school, senior high school or any special institution of education, but it does not include a vocational or professional institution of higher education, including a community or junior college, college, or university.

Screening. A continuous fence or wall supplemented with landscaping, or an evergreen hedge or combination thereof, that effectively provides a sight-obscuring and sound-absorbing buffer around the property it encloses, and is broken only for access drives and walks.

Sculptured Building Top. A building top which has:

- a. Reduced floor area on the upper floors; and

- b. A distinctive roof form such as pitched roof, hip roof, dome, chateau roof, tower, turret, pediment, dormers, or other distinctive forms. Roofline embellishments such as medallions, statuary, cornices, brackets, finials, or similar ornament would not be considered sculptured building tops; and
- c. Upper floors which are set back from the street wall.

Secretary of the Interior's Standards for the Treatment of Historic Properties, The (as amended). Guidelines adopted by the Secretary of the Department of the Interior to guide the rehabilitation, restoration or reconstruction of a historic property.

Section of Land. Measured 640 acres, one square mile, or 1/36 of a township.

Secure Community Transition Facility. A residential facility for persons civilly committed and conditionally released from a total confinement facility operated by the Secretary of Washington Social and Health Services or under contract with the Secretary pursuant to RCW [71.09.020\(10\)](#) as described in RCW [71.09.250](#). All secure community transition facilities located within the City of Olympia shall conform with Olympia Municipal Code Subsection [18.08.080\(E\)](#).

Seep. A spot where groundwater oozes to the surface. A small spring.

Service and Repair Shop. An establishment providing major repair and/or maintenance of motor vehicles, equipment or major appliances, including, but not limited to: mechanical repair, replacement of parts, body repair, painting, engine overhaul, or other major repair or maintenance, including operations which may require open flame or welding.

Service Stations. Businesses which sell gasoline or alternative vehicle fuels, and/or which may perform minor vehicle maintenance or repair, and/or wash cars. "Minor maintenance or repair" is limited to the exchange of parts and maintenance requiring no open flame or welding. Service stations include self-service gas stations, full-service gas stations, diesel fueling stations, oil change and lubrication shops, auto detailing shops, and car washes. Businesses which provide major repair work such as engine overhauls, vehicle painting, or body repair are classified as Service and Repair Shops.

Servicing of Personal Apparel and Equipment. A business primarily engaged in the upkeep of personal or small household belongings. Such businesses include, but are not limited to: tailors, locksmiths, piano tuners, or businesses which repair shoes, cameras, small appliances, or consumer electronics.

Setback. The distance between the building and any lot line. See specific zone district for allowed projections into setback areas and point of measurement. (See also Yard.)

Setback Line. An imaginary line that establishes the required minimum distance from any lot line and defines the area where the principal structure must be erected. (See also Building Line, Yard, and Lot.)

Sewer. Any pipe or conduit used to collect and carry away sewage and sometimes stormwater runoff from the generating source to a treatment plant.

Sexual conduct.

- a. Sexual intercourse within its ordinary meaning, occurring upon any penetration, however slight; or
- b. Any penetration of the vagina or anus, however slight, by an object; or
- c. Any contact between persons involving the sex organs of one person and the mouth or anus of another; or
- d. Masturbation, manual or instrumental, of oneself or of one person by another; or
- e. Direct touching of the sex organs or anus, whether clothed or unclothed, of oneself or of one person by another; or
- f. Flagellation or torture in the context of a sexual relationship; or
- g. Sodomy.

Shopping Center. A commercial development with unenclosed pedestrian walks in which there are a number of separate commercial activities, with accessory shared facilities such as parking, and which is designed to provide a single area which the public can obtain varied products and services. Shopping centers are typically characterized by at least one large retail "anchor" store.

Shopping Mall. A shopping center with stores on one or both sides of a covered and enclosed pedestrian walkway.

Short Term Rental Operator. Any person or entity who receives payment for owning, operating, or managing a dwelling unit, or portion thereof, as a short term rental. (See also Dwelling, Transient).

Sidewalk. A paved, surfaced, or leveled area, paralleling and usually separated from the street and normally used as a pedestrian walkway.

Sign. Any object, device, display, or structure, or part thereof, situated outdoors or indoors, which is used to advertise, identify, display, direct, or attract attention to an object, person, institution, organization, business, product, service, event, or location by any means. Such means may include words, letters, figures, design, movement, symbols, fixtures, colors, illumination, or projected images.

Sign, Abandoned. Any sign which:

- a. Is located on property which becomes vacant and unoccupied for a period of twelve (12) consecutive months or more (excepting legal off-premise signs), or
- b. Relates to any occupant or business unrelated to the present occupant or their business (excepting legal off-premise signs), or
- c. Pertains to a time, event or purpose which no longer applies.

Sign, Alley. A type of building mounted sign that is located on a building wall facing a public alley.

Sign, Animated. A sign with action or motion (including those that flash, oscillate or revolve) or one that involves color changes more frequently than once per twenty-four 24 hours, illustrations or messages. This does not include wind activated elements such as flags or banners; nor does it include public service signs (such as time and temperature signs). For the purposes of this chapter, it does include search lights and strobe lights.

Sign Area. The entire background of a sign upon which advertising could be placed (counting all faces), including the frame but not other supporting structure, except that the area of advertising affixed directly to, or painted on a building without any background, other than the building, shall be the area contained in the smallest geometric figure enclosing all portions of the sign message (i.e., all letters, numbers, graphics, etc.).

Sign Awning. A sign which is on an awning. Awning signs are a type of building mounted sign.

Sign, Banner. A lightweight temporary sign.

Sign, Billboard. A rigidly assembled outdoor sign permanently affixed to the ground or permanently attached to a building or other permanent structure, unrelated to any use or activity on the property on which the sign is located, but not including directional signs as defined herein.

Sign, Blade. A type of building mounted that is oriented for pedestrians that extends from a building wall or hangs from a marquee. Blade signs larger than ten (10) square feet in size are considered Projecting Signs if not attached to a marquee.

Sign, Building Mounted. A permanent sign which is attached to, or erected against or painted on, any exterior wall, fascia, or window of a building or structure. For the purpose of this Title, signs which shall be considered building mounted signs, include flush mounted signs, signs on marquees and awnings, projecting signs, blade signs, and signs erected on the side of a mansard roof provided the sign does not project above the uppermost roof line or flashing.

Sign, Business Directory. A type of development identification sign which lists the names of the individual uses in a development.

Sign, Changeable Copy. See Sign, Readerboard.

Signs, Channel Letters. A flush mounted wall sign that consists of individual letters or characters not bound together in one complete structure. Channel Letter signs are signs in which each letter or character is mounted individually within its own area, with the total area of individual letters or characters comprising the sign.

Sign, Ground. A ground supported sign which is no greater than twelve (12) feet in height above grade.

Sign, Development Identification. A freestanding or building mounted sign which identifies the name of a development. For the purpose of sign standards, a development consists of multiple building complexes such as shopping malls, industrial and business parks, residential subdivision developments, and multiple occupancy buildings.

Sign, Directional. A sign designed solely to guide or direct pedestrian or vehicular traffic to an area, place or convenience.

Sign, Feather. A vertical portable sign that contains a harpoon-style pole or staff driven into the ground for support or supported by means of an individual stand.

Sign, Flashing. See Sign, Animated.

Sign, Flush-Mounted. A type of building mounted sign which is attached to, or erected against any exterior wall or fascia of a building or structure, with the exposed face of the sign parallel to the plane of the wall.

Sign, Freestanding. A permanent sign supported by one or more uprights, poles or braces in or upon the ground. For the purposes of this Title, freestanding signs include pole signs and signs otherwise known as ground signs or monument signs.

Sign, Hazardous. Any sign that is dangerous or confusing to motorists and pedestrians, including any sign which by its color, wording, design, location, or illumination resembles or conflicts with any official traffic control device or which otherwise impedes the safe and efficient flow of traffic.

Sign, Historical. Historic signs that contribute to the architectural and historic character of Olympia, which may complement or define an individual building or may be valued independently from the building or site on which it is located.

Sign Height. The vertical distance from ground level to the top of the sign.

Sign, Identification. A pole or ground sign which identifies the name of a shopping center.

Sign, Inflatable. Balloons or other gas-filled figures. For purposes of this section, inflatable signs shall be treated as temporary signs. Inflatable signs that include movement are considered animated signs and are not allowed.

Sign, Legacy. Signage related to a structure but not the present occupancy of use.

Sign, Light Projection. An image projected onto a building or walkway.

Sign, Marquee. Any sign which forms part of or is integrated into a marquee or canopy and which does not extend horizontally beyond the limits of such marquee or canopy.

Sign, Monument. See Sign, Freestanding.

Sign, Non-conforming. Any legally established sign existing at the time of this Ordinance which does not meet the current provisions of Title [18](#).

Sign, Nuisance. Any sign which emits smoke, visible particles, odors, and/or sound, except that speakers in signs of a drive-through facility shall be allowed.

Sign, On-Premises. A sign which carries advertisement related to a lawful use of the premises on which it is located, including signs indicating the business transacted, services rendered, goods sold or produced on the premises, name of business, name of the person, firm or corporation occupying the premises.

Sign, Out-of-Date. Signs for which the event, time, or purpose no longer applies.

Sign, Parking Lot Pole Banner. A type of banner sign, typically made of outdoor fabric, attached to the lighting poles in parking lots.

Sign, Pedestal. See Sandwich Board/Pedestal Sign.

Sign, Pole. A ground supported sign which is no less than twelve (12) and no greater than thirty (30) feet in height above grade.

Sign, Portable (Mobile). A sign made of any material which by its design is readily movable and which is not permanently affixed to the ground, a structure or a building.

Sign, Projecting. A sign which projects twelve (12) inches or more from a building and is supported by a wall or structure.

Sign, Public Service. A sign which provides a service to the public (such as indicating the current time and temperature or a community bulletin board) but which includes no advertising other than the name of the sponsoring organization.

Sign, Readerboard. A sign with characters or letters that can be manually changed without altering the face of the sign. Electronic signs are not readerboards for the purposes of this Title, but are animated signs.

Sign, Revolving. See Sign, Animated.

Sign, Roof. A sign erected upon or above a roof or parapet of a building or structure. A sign shall be considered a building mounted sign if it is erected on the side of a mansard roof and does not project above the uppermost roof line or flashing.

Sign, Sandwich Board/Pedestal Sign. A type of portable sign.

Sign, Shopping Center. A type of permanent freestanding sign for larger shopping complexes.

Sign, Structural Alteration. Any change or modification in the supporting members of the structure, such as the pole, cabinet, footing/foundation. Exceptions are new paint, rewiring, or face change.

Sign Structure. Any structure which supports or is capable of supporting any sign. A sign structure may be a single pole and may be an integral part of the building.

Sign, Temporary. Any sign, banner, pennant, valance or advertising display intended to be displayed for only a limited period of time.

Sign, Window. A sign painted on or adhered or mounted to an exterior window (e.g., a neon sign). Window signs are a type of building mounted sign.

Sign. Yard/Lawn. A temporary sign that is posted in the ground by a stake or wire frame.

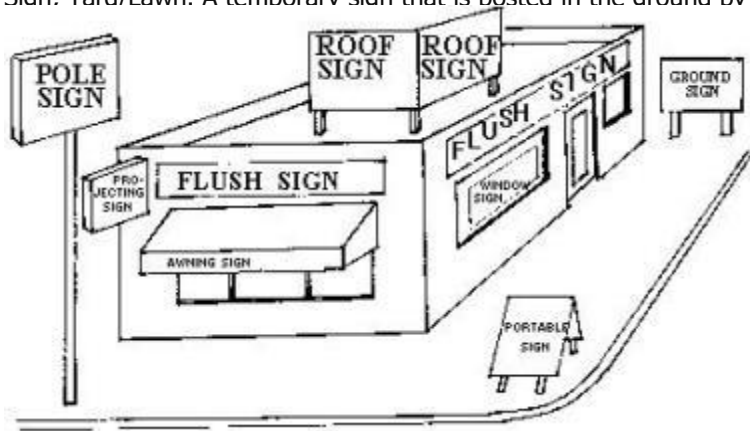


FIGURE 2-7

Significant. When used in the context of historic significance: A property which helps in the understanding of the history of the local area, state or nation (whichever is applicable) by illuminating the local, state-wide or nation-wide impact of the events or persons associated with the property, or its architectural type or style or information potential. The local area can include the City of Olympia, Thurston County, the region of Puget Sound or Southwest Washington, or a modest geographic or cultural area, such as a neighborhood. Local significance may apply to a property that illustrates a theme that is important to one or more localities; state significance to a theme important to the history of the state; and national significance to property of exceptional value in representing or illustrating an important theme in the history of the nation.

Single-Family Dwelling. See Dwelling, Conventional.

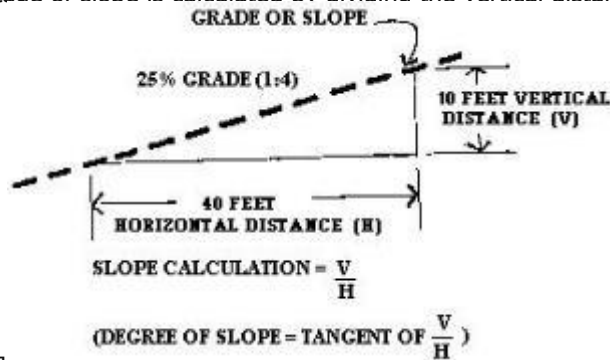
Single-Room Occupancy (SRO). See Dwelling, Conventional.

Site Plan. The development plan which shows the existing and proposed conditions of the lot, including topography, vegetation, drainage, flood plains, walkways; means of ingress and egress; circulation; utility services; structures and buildings; signs and lighting; berms, buffers, and screening devices; surrounding development; and any other information that reasonably may be required in order that an informed decision can be made by the reviewing authority.

Site Plan Review Committee. A technical development review group comprised of representatives from the Department of Community Planning and Development, the Fire Department and the Public Works Department, who provide technical assistance to the CP&D Director or the CP&D Director's designee on land use issues. At a minimum this includes the Building Official, Planner, City Engineer, Fire Chief, and SEPA official, or their appointed designees.

Slope. The deviation of a surface from the horizontal, usually expressed in percent or degrees. (See also Grade.)

[NOTE: Percentage of slope is calculated by dividing the vertical distance by the horizontal distance times one



hundred (100).]

FIGURE 2-8

% GRADE	100	50	40	33.3	30	25	20	15	12	10	8	6
DEGREES	45	26.6	21.8	18.4	16.7	14	11.3	8.5	6.8	5.7	4.6	3.4
RATIO	1:1	2:1	2.5:1	3:1	3.3:1	4:1	5:1	6.7:1	8.3:1	10:1	12.5:1	16.7:1

Slope, Steep. An area which is equal to or in excess of forty (40) percent slope, or where the ground surface rises ten feet or more vertically within a horizontal distance of twenty-five (25) feet. This can also include a slope of 15 to 39.9 percent if otherwise defined as a landslide hazard area.

Slope, Steep Toe, or Steep Top. A distinct topographic break in slope which separates slopes inclined less than forty (40%) percent from slopes equal to or greater than forty (40%) percent. Where no distinct break exists, this point shall be the limit of the area where the ground surface drops ten (10) feet or more vertically within a horizontal distance of twenty-five (25) feet.

Small Lake. See OMC [18.32.305 E](#).

Small Lot Review. A Director review of proposed construction on undersized legal lots of record approved prior to June 19, 1995.

Small Lot Subdivision. See Subdivision, Short.

Social Organization. A group of people formally organized for a common interest, usually cultural, religious, or entertainment, with regular meetings, rituals, and formal written membership requirements. [NOTE: This is not a Collegiate Greek System Residence.]

Soil and Vegetation Protection Area (SVPA). A separate tract of land, which may or may not be deeded as such, specifically set aside for the preservation of healthy soil and the preservation or planting of existing and/or native vegetation, well-adapted drought-tolerant vegetation, and trees. Stormwater retention/detention facilities, critical area buffers and other common areas may be considered SVPA's if they currently, or are improved to an extent where they can, support healthy soils and the growth of native vegetation or well-adapted drought-tolerant vegetation. The purpose of these areas for preserving healthy soils and preserving and/or planting native, or well-adapted drought-tolerant vegetation is stated on the face of the plat when applicable.

Special Assessment District. A district with the power to levy taxes created by act, petition, or vote of property owners for a specific purpose.

Special Valuation for Historic Properties, Special Valuation. The process, pursuant to Chapter [84.26](#) Revised Code of Washington (RCW) and Chapter [3.60](#) OMC, under which the tax basis of an eligible, rehabilitated historic property may be reduced by the actual incurred cost of the rehabilitation for a period of up to ten years.

Specialty Stores. Stores selling antiques, sporting goods and bicycles, marine supplies, glassware and chinaware, books, videos (including rentals), music, cards and stationery, jewelry, toys, hobby supplies, cameras, gifts and souvenirs, sewing supplies, flowers, tobacco products, newspapers and magazines, art and art supplies, pets and pet supplies, religious supplies, consumer electronics, personal computers, or other miscellaneous goods. It also includes second-hand stores and pawnshops.

Specific or Management Plan. A plan consisting of text, maps, and other documents and exhibits regulating development within an area of special interest or which contains unique land use and development problems.

Spot Zoning. Rezoning of a lot or parcel of land to benefit an owner for a use incompatible with surrounding land uses and that does not further the comprehensive plan. [NOTE: Spot zoning is usually invalid when all the following factors are present: (1) a small parcel of land is singled out for special and privileged treatment; (2) the singling out is not in the public interest but only for the benefit of the land owner; and (3) the action is not in accord with a comprehensive plan.]

Stables, Riding. A structure providing shelter for horses, mules or ponies which are boarded for compensation. This may include arenas, tracks, and other facilities for equestrian activities either for members of a private club or for the general public. This may also include accessory facilities such as a clubhouse.

Stable, Private. An accessory structure providing shelter for horses or ponies, for use by occupants of the premises.

Staff. Permanent or temporarily employed personnel of the City of Olympia, Washington.

Stepback. Additional setbacks of upper building floor levels.

Storage. Placement or retention of goods, materials and/or personal property in one location for more than 24 consecutive hours.

Stormwater Facility. A constructed stormwater system component, including but not limited to a detention, retention, sediment, or constructed wetland basin or pond, generally installed at the ground surface.

Stormwater Retention/Detention Basin. A facility, either above-ground or underground, that temporarily stores stormwater prior to its release to the ground (retention facility), to a surface water (detention facility), or some combination of the two. [NOTE: Retention basins differ from detention basins in that the latter are temporary storage areas. Retention basins have the potential for water recreation and water-oriented landscaping since the water may remain. Both types of basins provide for controlled release of the stored water and groundwater recharge.]

Stormwater Retrofit Facilities. A stormwater treatment or flow-control facility that complies with the City of Olympia Drainage Design and Erosion Control Manual and is constructed by the City of Olympia for the purpose of providing treatment or flow-control in an area where little to none was previously provided.

Story. That portion of a building included between the upper surface of a floor and the upper surface of the floor or roof next above.

Story Above Grade. Any story having its finished floor surface entirely above grade, except that a basement shall be considered as a story above grade where the finished surface of the floor above the basement is: more than six feet above grade plane, more than six feet above the finished ground level for more than fifty (50%) of the total building perimeter, or more than twelve (12) feet above the finished ground level at any point.

Story, First. The lowest above grade story in a building, except that a floor level in a building having only one floor shall be classified as a first story, provided such floor level is not more than four feet below grade, as defined herein, for more than fifty (50) percent of the total perimeter, or more than eight (8) feet below grade, as defined herein, at any point.

Stream. See OMC [18.32.405](#).

Stream Corridor. Any river, stream, pond, lake, or wetland, together with adjacent upland areas that support vegetation adjacent to the water's edge.

Street. A public or private right-of-way which affords a primary means of vehicular access to abutting property.

Street, Arterial. An arterial street provides an efficient direct route for long-distance travel within the region and between different parts of the city. Streets connecting freeway interchanges to commercial concentrations are classified as arterials. Traffic on arterials is given preference at intersections, and some access control may be considered in order to maintain capacity to carry high volumes of traffic.

Street Cul-De-Sac. A street with a single common ingress and egress and with a circular turnaround at the end.

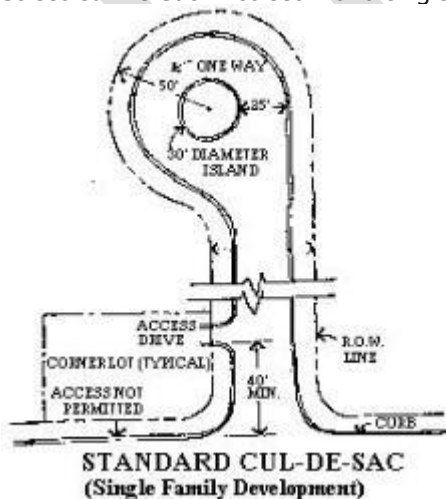


FIGURE 2-9

Street Frontage. The area between any lot lines which intersect, or area of a lot which directly abuts, the boundary of a public or private street right-of-way.

Street Furniture. Constructed, above-ground objects, such as outdoor seating, kiosks, bus shelters, sculpture, tree grids, trash receptacles, fountains, and telephone booths, that have the potential for enlivening and giving variety to streets, sidewalks, plazas, and other outdoor spaces open to, and used by, the public.

Street, Local Access. A street which provides access to abutting land uses and serves to carry local traffic to a collector.

Street, Major Collector. A street that provides connections between the arterial and concentrations of residential and commercial land uses. The amount of through traffic is less than an arterial, and there is more service to abutting land uses. Traffic flow is given preference over lesser streets.

Street, Neighborhood Collector. A street which distributes and collects traffic within a neighborhood and provides a connection to an arterial or major collector. Neighborhood collectors serve local traffic, provide access to abutting land uses, and do not carry through traffic. Their design is compatible with residential and commercial neighborhood centers.

Street, Private. A street that has not been accepted for maintenance and public ownership by the City of Olympia or other government entity. This does not include private driveways or access easements.

Street Wall. A building wall that faces or is parallel to the street frontage.

Streetscape. The visual character of a street as determined by various elements such as structures, greenery, open space, and view.

Structure. An edifice or building of any kind which is built or constructed, or any piece of work artificially built up or composed of parts joined together in some definite manner.

Structured Parking. A building or a portion of a building used for the parking of motor vehicles.

Subdivider. A person who undertakes the subdividing of land.

Subdivision. The division or redivision of land into ten or more lots, tracts, parcels, sites or divisions, any of which are less than five acres in area, for the purpose of sale, lease or transfer of ownership. (See also Subdivision, Short.)

Subdivision, Cluster. See Clustered Subdivision.

Subdivision, Large Lot. The division of land into lots or tracts, each of which is 1/128 of a section of land or larger, or five acres or larger, if the land is not capable of description as a fraction of a section of land. For purposes of computing the size of any lot under this section which borders on a street, the lot size shall be expanded to include that area which would be bounded by the centerline of the street and the side lot lines of the lot running perpendicular to such centerline.

Subdivision, Short. The division or redivision of land into nine or fewer lots, tracts, parcels, sites or divisions for the purpose of transfer of ownership, sale or lease.

Subordinate. A supplementary use to a permitted primary or principal use.

Substantial Improvement. Any extension, repair, reconstruction, or other improvement of a property, the cost of which equals or exceeds fifty (50) percent of the fair market value of a property either before the improvement is started or, if the property has been damaged and is being restored, before the damage occurred.

Surface water. A body of water open to the atmosphere and subject to surface runoff.

Swap Meet. Any outdoor place, location, or activity where new or used goods or secondhand personal property is offered for sale or exchange to the general public by a multitude of individual licensed vendors, usually in compartmentalized spaces; and, where a fee may be charged to prospective buyers for admission, or a fee may be charged for the privilege of offering or displaying such merchandise. The term swap meet is interchangeable with and applicable to: flea markets, auctions, open air markets, farmers markets, or other similarly named or labeled activities; but the term does not include the usual supermarket or department store retail operations. **Section 4. Amendment of OMC 18.04.040.** Olympia Municipal Code Section 18.04.040, Table 4.01, is hereby amended to read as follows:

18.04.040 TABLES: Permitted and Conditional Uses

TABLE 4.01

PERMITTED AND CONDITIONAL USES

DISTRICT	R1/5	R-4	R-4CB	RLI	R 4-8	R 6-12	MR 7-13	MR 10-18	RM 18	RM 24	RMH	RMU	MHP	UR	APPLICABLE REGULATIONS
District-Wide Regulations							18.04.060 (N,Q)	18.04.060 (N,Q)	18.04.060 (N)	18.04.060 (N)	18.04.060 (N)	18.04.060 (N,BB)		18.04.060 (N)	
1. SINGLE-FAMILY HOUSING															
Accessory Dwelling Units	P	P	P	P	P	P	P	P	P	P	P	P	P	P	18.04.060(A)
Co-Housing	P	P	P	P	P	P	P	P	P	P	P	P	P	P	18.04.060(F)
Cottage Housing				P	P	P	P	P	P	P	P	P	P	P	18.04.060(H)
Manufactured/Mobile Home Parks (Rental Spaces)								C	C	C			C		18.04.060(P)
Manufactured Homes	P	P	P	P	P	P	P	P	P	P	P	P	P	P	18.04.060(O)
Single-family Residences	P	P	P	P	P	P	P	P	P	P	P	P	P	P	
Townhouses	P	P		P	P	P	P	P	P	P	P	P	P	P	18.64
Short Term Rentals	P	P	P	P	P	P	P	P	P	P	P	P	P	P	18.04.060(JJ)
2. MULTIFAMILY HOUSING															
Apartments				P			P	P	P	P	P	P		P	18.04.060(N)
Courtyard Apartments						P									18.04.060(II)
Boarding Homes				P				P	P	P					

TABLE 4.01

PERMITTED AND CONDITIONAL USES

DISTRICT	R1/5	R-4	R-4CB	RLI	R 4-8	R 6-12	MR 7-13	MR 10-18	RM 18	RM 24	RMH	RMU	MHP	UR	APPLICABLE REGULATIONS
Collegiate Greek system residences	P			P				P	P	P					
Dormitories	P			P				P	P	P	P	P		P	
Duplexes - Existing	P	P		P	P	P	P	P	P	P	P	P	P	P	18.04.060(J)
Duplexes	P	P	P	P	P	P	P	P	P	P	P	P	P	P	
Duplexes on Corner Lots	P	P	P	P	P	P	P	P	P	P	P	P	P	P	18.04.060(HH)
Triplexes				P	P	P	P	P	P	P	P	P		P	
Fourplexes			P		P	P	P	P	P	P	P	P		P	
Sixplexes						P									
Group Homes with 6 or Fewer Clients and Confidential Shelters	P	P	P	P	P	P	P	P	P	P	P	P	P	P	18.04.060(K)
Group Homes with 7 or More Clients	C			C	C	C	C	C	C	C	C	C	C	C	18.04.060(K)
Lodging Houses									P	P	P	P		P	
Nursing/Convalescent Homes	C			C	C	C	C	C	C	C	C	C	C	C	18.04.060(S)
Retirement Homes				P			P	P	P	P	P	C		P	
3. COMMERCIAL															

TABLE 4.01

PERMITTED AND CONDITIONAL USES

DISTRICT	R1/5	R-4	R-4CB	RLI	R 4-8	R 6-12	MR 7-13	MR 10-18	RM 18	RM 24	RMH	RMU	MHP	UR	APPLICABLE REGULATIONS
Child Day Care Centers		C	C	C	C	C	C	P	P	P	P	P	C	P	18.04.060(D) 18.04.060(AA)
Commercial Printing												P			
Drive-In and Drive-Through Businesses -- Existing												P			18.04.060(J)
Food Stores											P	P		P	18.04.060(AA)
Hardware Stores												P			
Home Occupations (including Adult Day Care, Elder Care Homes, Family Child Care Homes, Short-Term Rentals – Homestays, and Bed & Breakfast Houses)	P	P	P	P	P	P	P	P	P	P	P	P	P	P	18.04.060(L)
Hospice Care	C			C			C	C	C	C	C	C		C	18.04.060(M)
Laundries											P	P		P	18.04.060(AA)
Nursery (Retail and/or Wholesale Sales)	C	C	C	C	C	C	C	C	C	C			C		18.04.060(G)
Offices												P		P	18.04.060(AA)(2)
Personal Services												P			
Pharmacies												P			

TABLE 4.01

PERMITTED AND CONDITIONAL USES

DISTRICT	R1/5	R-4	R-4CB	RLI	R 4-8	R 6-12	MR 7-13	MR 10-18	RM 18	RM 24	RMH	RMU	MHP	UR	APPLICABLE REGULATIONS
Restaurants, without Drive-In and Drive-Through												P			
Servicing of Personal Apparel and Equipment												P			
Specialty Stores												P			
Veterinary Clinics - Existing	P	P		P	P	P							P		18.04.060(J)
Veterinary Clinics	P														
4. ACCESSORY USES															
Accessory Structures	P	P	P	P	P	P	P	P	P	P	P	P	P	P	18.04.060(B)
Electric Vehicle Infrastructure	P	P	P	P	P	P	P	P	P	P	P	P	P	P	18.04.060(GG)
Garage/Yard/Rummage or Other Outdoor Sales	P	P		P	P	P	P	P	P	P	P	P	P	P	5.24
Large Garages			C		C	C	C	C	C	C	C	C	C	C	18.04.060(B)
Residence Rented for Social Event, 7 times or more in 1 year	C	C		C	C	C	C	C	C	C	C		C	C	
Satellite Earth Stations	P	P	P	P	P	P	P	P	P	P	P	P	P	P	18.44.100
5. RECREATIONAL USES															

TABLE 4.01

PERMITTED AND CONDITIONAL USES

DISTRICT	R1/5	R-4	R-4CB	RLI	R 4-8	R 6-12	MR 7-13	MR 10-18	RM 18	RM 24	RMH	RMU	MHP	UR	APPLICABLE REGULATIONS
Community Parks & Playgrounds	C	C	C	C	C	C	C	C	C	C	P	P	C	P	18.04.060(T)
Country Clubs	C	C	C	C	C	C	C	C	C	C	C	C	C	C	
Golf Courses		C	C		C	C	C	C	C	C			C		
Neighborhood Parks	P/C	P/C	P/C	P/C	P/C	P/C	P/C	P/C	P/C	P/C	P/C	P/C	P/C	P/C	18.04.060(T)
Open Space - Public	P/C	P/C	P/C	P/C	P/C	P/C	P/C	P/C	P/C	P/C	P/C	P/C	P/C	P/C	18.04.060(T)
Racing & Performing Pigeons		C	C	C	C	C				C	C		C	C	18.04.060(Y)
Stables, Commercial and Private Existing		C		C	C										18.04.060(J)
Trails - Public	P/C	P/C	P/C	P/C	P/C	P/C	P/C	P/C	P/C	P/C	P/C	P/C	P/C	P/C	18.04.060(T)
6. AGRICULTURAL USES															
Agricultural Uses	P	P	P	P	P	P	P	P	P	P			P		
Greenhouses, Bulb Farms	C	C	C	C	C	C	C	C	C	C	C	C	C	C	18.04.060(G)
7. TEMPORARY USES															
Emergency Housing	P	P	P	P	P	P	P	P	P	P			P		18.04.060(DD)
Emergency Housing Facility	P	P	P	P	P	P	P	P	P	P	P	P	P	P	18.50
Model Homes	P	P	P	P	P	P	P	P	P	P	P		P	P	18.04.060(DD)

TABLE 4.01

PERMITTED AND CONDITIONAL USES

DISTRICT	R1/5	R-4	R-4CB	RLI	R 4-8	R 6-12	MR 7-13	MR 10-18	RM 18	RM 24	RMH	RMU	MHP	UR	APPLICABLE REGULATIONS
Residence Rented for Social Event, 6 times or less in 1 year	P	P	P	P	P	P	P	P	P	P	P		P	P	18.04.060(DD)
Wireless Communication Facility	P	P		P	P	P	P	P	P	P	P	P	P	P	18.44.060
8. OTHER															
Animals	P	P	P	P	P	P	P	P	P	P	P	P	P	P	18.04.060(C)
Cemeteries		C	C		C	C	C	C	C	C			C		18.04.060(E)
Community Clubhouses	P	P	P	P	P	P	P	P	P	P	P	P	P	P	
Crisis Intervention	C	C	C	C	C	C	C	C	C	C	C	C	C	C	18.04.060(I)
Historic House Museum		C	C	C	C	C	C	C	C	C	C	C	C	C	
Parking Lots and Structures				C							P	P			18.38.220 and .240
Places of Worship	C	C	C	C	C	C	C	C	C	C	C	C	C	C	18.04.060(U)
Public Facilities	C	C	C	C	C	C	C	C	C	C	C	C	C	C	18.04.060(V)
Public Facilities - Essential	C	C	C	C	C	C	C	C	C	C	C	C	C	C	18.04.060(W)
Radio, Television and Other Communication Towers	C	C	C	C	C	C	C	C	C	C	C	C	C	C	18.44.100
Schools	C			C	C	C	C	C	C	C	C		C	C	18.04.060(CC)

TABLE 4.01

PERMITTED AND CONDITIONAL USES

DISTRICT	R1/5	R-4	R-4CB	RLI	R 4-8	R 6-12	MR 7-13	MR 10-18	RM 18	RM 24	RMH	RMU	MHP	UR	APPLICABLE REGULATIONS
Social Organizations											P	P		C	
Mineral Extraction - Existing					C		C								18.04.060(J)
Utility Facility	P/C	P/C	P/C	P/C	P/C	P/C	P/C	P/C	P/C	P/C	P/C	P/C	P/C	P/C	18.04.060(X)
Wireless Communication Facilities	P/C	P/C	P/C	P/C	P/C	P/C	P/C	P/C	P/C	P/C	P/C	P/C	P/C	P/C	18.44
Workshops for Disabled People	C			C	C	C	C	C	C	C	C	C	C	C	18.04.060(R)

LEGEND

P = Permitted Use

C = Conditional Use

R-4 = Residential - 4

R 4-8 = Residential 4-8

R 6-12 = Residential 6-12

RLI = Residential Low Impact

MR 10-18 = Mixed Residential 10-18

RM 18 = Residential Multifamily - 18

MR 7-13 = Mixed Residential 7-13

RMH = Residential Multifamily High Rise

RMU = Residential Mixed Use

RM 24 = Residential Multifamily - 24

UR = Urban Residential



Section 5. Amendment of OMC 18.04.060.L. Olympia Municipal Code Subsection 18.04.060.L is hereby amended to read as follows:

L. HOME OCCUPATIONS.

The purpose of the home occupation provisions is to allow for the use of a residential structure for a non-residential use which is clearly an accessory use to the residential use and does not change the residential character of the neighborhood. Home occupations meeting the below requirements are allowed in any district in which residential uses are permitted.

1. Review. Prior to both initial occupancy and issuance of any business license, the business operator or the operator's agent shall certify that the home occupation will conform with the applicable requirements.
2. General Standards. The following are the general requirements for home occupations. Also see specific standards for family child care homes, adult day care homes, bed and breakfast houses, and counseling.
 - a. Home occupations must be conducted within the principal residence of the permit holder. Permit holders shall provide evidence thereof through such means as voter registration, driver's license, tax statement, or other evidence of residency and sign a notarized affidavit attesting to their principal residence at the site.
 - b. Home occupations are subject to inspections by city staff insofar as permitted by law. Permit holders shall execute a notarized affidavit agreeing to allow appropriate city staff the ability to conduct an inspection of the residence, after reasonable notice is given, to determine compliance with the home occupation permit.
 - c. No person(s) other than the family member(s) who resides in the residence shall participate in the home occupation. The home occupation permit shall list the names of each resident who is employed by the business. Furthermore, the residence shall not be used as a place of congregation for work that occurs off the premises. This limitation shall not apply to short-term rental – homestays or properties abutting the west side of the 300 and 400 blocks of West Bay Drive Northwest.
 - d. Home occupations shall occupy not more than twenty-five (25) percent of the total floor area of the dwelling or five hundred (500) square feet per dwelling unit, whichever is less; provided, however, that properties abutting the west side of the 300 and 400 blocks of West Bay Drive Northwest shall occupy not more than fifty percent (50%) of the total floor area of the dwelling or one thousand five hundred (1,500) square feet per dwelling unit, whichever is less. This limitation does not apply to family child care homes, adult day care homes, elder care homes, short-term rental – homestays, or bed and breakfast houses.
 - e. The residential character of the lot and dwelling shall be maintained. The occupation shall be conducted entirely within a dwelling and/or accessory building by the occupant of the dwelling. A carport shall not be used for home occupations, except for parking. There shall be no structural alteration nor any exterior modification of the structure in order to accommodate the occupation.

f. The occupation shall be conducted in such a manner as to give minimal outward appearance of a business, in the ordinary meaning of the term, that would infringe upon the right of the neighboring residents to enjoy peaceful occupancy of their homes.

g. Except for adult daycare, child daycare, and bed and breakfast businesses, and short-term rental – homestays, the hours of operation, as related to customer or client visitations, shall be limited to no earlier than 7:00 a.m. and no later than 9:00 p.m.

h. The following types of uses shall not be permitted as home occupations:

i. Veterinarian, medical, and dental offices and clinics;

ii. Vehicle sales or repair;

iii. Contractors' yards;

iv. Restaurants;

v. Exterminating services;

i. No stock in trade shall be sold or displayed on the premises; provided, however, that this limitation shall not apply to properties abutting the west side of the 300 and 400 blocks of West Bay Drive Northwest. No equipment or material shall be stored on any exterior portion of the premises.

j. Home occupations shall emit no noise, vibration, smoke, dust, odor, heat, glare, fumes, electrical interference, pollutants or waste products detrimental to the environment, public safety or neighborhood, beyond those normally emanating from residential uses.

k. Home occupations shall comply with all applicable local, state or federal regulations. Requirements or permission granted or implied by this section shall not be construed as an exemption from such regulations.

l. A home occupation permit issued to one (1) person residing in the dwelling shall not be transferable to any other person, nor shall a home occupation permit be valid at any address other than the one appearing on the permit.

m. Any person engaging in a home occupation shall register as a business under Chapter [5.04](#) of the Olympia Municipal Code, and shall be subject to the Business and Occupation Tax levied by the Olympia Municipal Code.

n. The applicant shall demonstrate compliance with all city and state licensing requirements, including those pertaining to building, fire safety, and health codes.

o. Parking of customer, employee, or client vehicles shall not create a hazard or unusual congestion. No more than two (2) off-street parking stalls shall be provided in addition to any required for the residence. A driveway may be used as off-street parking. Except for commercial

type postal carriers, traffic generated by the home occupation shall not exceed two (2) commercial vehicles per week. See OMC Chapter [18.38](#) for parking requirements for specific home occupations.

3. Specific Home Occupation Standards.

a. Family Child Care Home. Family child care homes are allowed in all districts permitting residences, subject to the following conditions:

i. Structural or exterior alterations which would alter the single-family character of an existing single family dwelling or be incompatible with surrounding residences are prohibited.

ii. Prior to initiation of child care services, each child care provider must file a Child Care Registration Form with the Department of Community Planning and Development. The child care provider must demonstrate compliance with the applicable requirements of the code as listed on the Registration Form. No fee will be required for registration.

b. Adult Day Care Homes. Adult day care homes are permitted in the districts specified in Table 4.01 and Table 5.01, subject to the following conditions.

i. No more than six (6) adults (at least eighteen (18) years of age) shall be cared for in an adult day care home.

ii. Adult day care homes shall not operate for more than twelve (12) hours per day.

iii. The primary care giver shall reside in the adult day care home.

iv. Emergency medical care may be provided in adult day care homes, but not routine care necessitating the services of a licensed health care professional (e.g., dispensing of medicine or convalescent care). The caregiver must be certified in basic First Aid and cardiopulmonary resuscitation. First Aid supplies, including bandages and an antiseptic, shall be available on premises.

v. A smoke detector must be provided in each room occupied by people in day care. A fire extinguisher (rated 2A10 BC or the equivalent) must be installed in a readily accessible location. It shall be the responsibility of the day care operator to maintain the smoke detectors and fire extinguisher in operating condition.

vi. The structure and grounds accommodating an adult day care shall not be altered in such a way that they manifest characteristics of a business or pose a nuisance for the occupants of abutting properties.

c. Bed and Breakfast Houses. Bed and breakfast houses are subject to the following conditions:

i. The owner shall operate the facility and shall reside on the premises.

- ii. There shall be no more than five (5) guest (rental) rooms for persons other than the members of the operator's immediate family.
- iii. No bed and breakfast establishment shall be located closer than two hundred (200) feet to another bed and breakfast establishment, as measured in a straight line from property line to property line.
- d. Counseling. Counseling by single practitioners is permitted as a home occupation under the following conditions:
 - i. Counseling for sex offenders and substance abuse is prohibited.
 - ii. Group sessions are prohibited (i.e., more than two (2) people per session). This limitation shall not apply to home occupations in properties abutting the west side of the 300 and 400 blocks of West Bay Drive Northwest.e. Short Term Rental – Homestays. (See also JJ. Short Term Rentals; OMC 18.38.100 Table 38.01; and OMC 18.43.130.B.)
 - i. The property owner, or a long term rental tenant, must reside in a residence offered as a short term rental - homestay as their primary residence, including whenever a guest is residing in the homestay.

Section 6. Amendment of OMC 18.04.060. Olympia Municipal Code Subsection 18.04.060 is hereby amended to read as follows:

JJ. SHORT TERM RENTALS

Short Term Rentals are allowed in the districts specified in Tables 4.01, 5.01, and 6.01 subject to the following requirements. Violations are subject to civil penalties and suspension and/or revocation of a City license or permit.

1. The following requirements apply to all short term rentals:
 - a. Occupancy limited to two adults per bedroom, except children under 12 years of age may occupy a bedroom with no more than two adults.
 - b. In any single short term rental, the total occupancy is limited to a maximum of ten occupants or the occupancy provided in OMC 18.04.060.JJ.1.a, whichever is less. In a short term rental – homestay, the property owner or long term rental tenant is included in counting the maximum number of occupants.
 - c. A short term rental operator shall obtain any required city and state business license(s).
 - d. A short term rental operator shall comply with Revised Code of Washington Chapter 64.37, and all other applicable local, state, and federal laws and regulations and shall pay all applicable local, state, and federal taxes.
 - e. A short term rental operator shall provide the City the name, phone number, and address of a person who resides within 15 miles of the short term rental who is responsible to represent the short term rental operator to immediately respond to City requests to enforce applicable laws and rules.

- f. A short term rental operator shall post a copy of City of Olympia business license, and land use permit if applicable, in a conspicuous location in the short term rental.
 - g. No short term rental is allowed on a property for which there exists a Final Certificate of Tax Exemption issued under OMC 5.86.
 - h. No short term rental is allowed in any dwelling unit to which any income restrictions are in effect under any local, state, or federal authority.
2. The following requirements apply to short term rental-homestays only: (see also 18.04.060.L)
- a. The property owner, or a long-term rental tenant, must reside in a residence offered as a short term rental - homestay as their primary residence, including whenever a guest is residing in the homestay.
 - b. No land use permit is required for a short term rental - homestay.
3. The following requirements apply to short term rental-vacation rentals only:
- a. In addition to other required permits and licenses, a permit is required from the Department of Community Planning and Development for each vacation rental unit. Vacation rental permits are valid for two years from the date of issuance, and may be renewed by the City upon application.
 - b. A short term rental - vacation rental is not permitted in an accessory dwelling unit that is not legally established before ***[effective date of this ordinance]***.
 - c. Notwithstanding OMC 18.04.060.JJ.3.b., a short term rental - vacation rental may be permitted in an accessory dwelling unit for which all applicable requirements for that short term rental and accessory dwelling unit are completed no later than six months after ***[effective date of this ordinance]***.
 - d. No short term rental operator is permitted to own, operate, or have any interest in short term rental - vacation rental unit on more than two separate parcels in the City of Olympia.
 - e. No more than two short term rental - vacation rental units are permitted on any legal parcel of land containing a single-family home.
 - f. Notwithstanding OMC 18.04.060.JJ.3.e., a short term rental - vacation rental unit may be permitted in one dwelling unit or three percent of the non-income-restricted dwelling units, whichever is greater, on a legal parcel of land, or adjacent parcels in common ownership, containing one or more buildings with two or more units.

Section 7. Amendment of OMC 18.05.040. Olympia Municipal Code Section 18.06.040, Table 5.01, is hereby amended to read as follows:

18.05.040 TABLES: Permitted, Conditional and Required Uses

TABLE 5.01

PERMITTED, CONDITIONAL AND REQUIRED USES

DISTRICT	Neighborhood Center	Neighborhood Village	Urban Village	Community Oriented Shopping Center	APPLICABLE REGULATIONS
District-Wide Regulations					18.05.050
1. RESIDENTIAL USES					
Accessory Dwelling Units	P	P	P	P	18.04.060(A)
Apartments	C	R	R	R	18.05.060(D), 18.05.050(E)
Boarding Homes	C	P	P	P	
Congregate Care Facilities		P	P	P	18.05.050(E)(1)(c)(i)
Cottage Housing		P	P	P	18.05.060(D), 18.04.060(H)
Duplexes		P	P	P	18.05.060(D)
Duplexes on Corner Lots	P	P	P	P	18.04.060(HH)
Group Homes with 6 or Fewer Clients		P	P	P	18.04.060(K), 18.04.060(W)
Group Homes with 7 or More Clients		C	C	C	18.04.060(K), 18.04.060(W)
Manufactured Homes	P	P	P	P	18.04.060(O)
Nursing/Convalescent Homes		P	P	P	18.04.060(S)
Residences Above Commercial Uses	P	P	P	P	
Short Term Rental – Vacation Rentals	P	P	P	P	18.04.060(JJ)
Single-Family Residences	P	R	R	R	18.05.060(D)

TABLE 5.01

PERMITTED, CONDITIONAL AND REQUIRED USES

DISTRICT	Neighborhood Center	Neighborhood Village	Urban Village	Community Oriented Shopping Center	APPLICABLE REGULATIONS
Single Room Occupancy Units					
Townhouses	P	P	P	P	18.05.060(D), 18.64
2. OFFICES					
Banks	P	P	P	P	18.05.060(A)
Offices - Business	P	P	P	P	
Offices - Government	P	P	P	P	
Offices - Medical	P	P	P	P	
Veterinary Offices and Clinics	C	C	C	C	
3. RETAIL SALES					
Apparel and Accessory Stores	P	P	P	P	
Building Materials, Garden Supplies, and Farm Supplies	P	P	P	P	Sites within high density corridors, see 18.17.020 (B)
Food Stores	R	R	P	P	
Furniture, Home Furnishings, and Appliances					Sites within high density corridors, see 18.17.020 (B)
General Merchandise Stores	P	P	P	P	
Grocery Stores	P	P	R	R	18.05.060(C)
Office Supplies and Equipment					

TABLE 5.01

PERMITTED, CONDITIONAL AND REQUIRED USES

DISTRICT	Neighborhood Center	Neighborhood Village	Urban Village	Community Oriented Shopping Center	APPLICABLE REGULATIONS
Pharmacies and Medical Supply Stores	P	P	P	P	
Restaurants			P		18.05.060(A) & 18.05A.095
Restaurants, Without Drive-In or Drive-Through Service	P	P	P	P	
Specialty Stores	P	P	P	P	
4. SERVICES					
Health Fitness Centers and Dance Studios	P	P	P	P	
Hotels/Motels					
Laundry and Laundry Pick-up Agency	P	P	P	P	
Personal Services	P	P	P	P	
Printing, Commercial			P	P	
Radio/TV Studios					
Recycling Facility - Type I	P	P	P	P	
Servicing of Personal Apparel and Equipment	P	P	P	P	
5. ACCESSORY USES					
Accessory Structures	P	P	P	P	18.04.060(B)
Electric Vehicle Infrastructure	P	P	P	P	18.04.060(GG)
Garage/Yard/Rummage or Other Outdoor Sales	P	P	P	P	5.24

TABLE 5.01

PERMITTED, CONDITIONAL AND REQUIRED USES

DISTRICT	Neighborhood Center	Neighborhood Village	Urban Village	Community Oriented Shopping Center	APPLICABLE REGULATIONS
Satellite Earth Stations	P	P	P	P	18.44.100
Residences Rented for Social Event, 7 times or more per year	C	C	C	C	18.04.060.DD
6. RECREATIONAL USES					
Auditoriums and Places of Assembly					
Art Galleries					
Commercial Recreation					
Community Gardens	P	P	P	P	
Community Parks & Playgrounds	P/C	P/C	P/C	P/C	18.04.060(T)
Health Fitness Centers and Dance Studios					
Libraries					
Museums					
Neighborhood Parks/Village Green/Plaza	R	R	R	R	18.04.060(T), 18.05.080(N)
Open Space - Public	P	P	P	P	18.04.060(T)
Theaters (no Drive-Ins)					
Trails - Public	P	P	P	P	18.04.060(T)
7. TEMPORARY USES					
Emergency Housing	P	P	P	P	

TABLE 5.01

PERMITTED, CONDITIONAL AND REQUIRED USES

DISTRICT	Neighborhood Center	Neighborhood Village	Urban Village	Community Oriented Shopping Center	APPLICABLE REGULATIONS
Mobile Vendors			P	P	
Model Homes	P	P	P	P	
Parking Lot Sales			P	P	18.06.060(Z)
8. OTHER USES					
Agricultural Uses, Existing	P	P	P	P	
Animals/Pets	P	P	P	P	18.04.060(C)
Child Day Care Centers	P	P	R	P	18.05.060(B), 18.04.060(D)
Community Clubhouses	P	P	P	P	
Conference Centers					
Crisis Intervention	C	C	C	C	18.04.060(I)
Home Occupations (including adult day care, bed and breakfast houses, short-term rental – homestays, elder care homes, and family child care homes)	P	P	P	P	18.04.060(L), 18.04.060(JJ)
Hospice Care	C	C	C	C	18.04.060(M)
Non-Profit Physical Education Facilities	C	C	C	C	
Places of Worship	C	C	C	C	18.04.060(U)
Public Facilities	C	C	C	C	18.04.060(V)
Radio, Television, and other Communication Towers & Antennas	C	C	C	C	18.04.060(W), 18.44.100

TABLE 5.01

PERMITTED, CONDITIONAL AND REQUIRED USES

DISTRICT	Neighborhood Center	Neighborhood Village	Urban Village	Community Oriented Shopping Center	APPLICABLE REGULATIONS
Schools	C	C	C	C	18.04.060(DD)
Sheltered Transit Stops	R	R	R	R	18.05.050(C)(4)
Social Organizations					
Utility Facilities	P/C	P/C	P/C	P/C	18.04.060(X)
Wireless Communications Facilities	P/C	P/C	P/C	P/C	18.44

LEGEND

P = Permitted C = Conditional R = Required

Section 8. Amendment of OMC 18.06.040. Olympia Municipal Code Section 18.06.040, Table 6.01, is hereby amended to read as follows:

18.06.040 TABLES: Permitted and Conditional Uses

TABLE 6.01

PERMITTED AND CONDITIONAL USES

COMMERCIAL DISTRICT	NR	PO/RM	GC	MS	UW	UW-H	DB	AS	CSH	HDC-1	HDC-2	HDC-3	HDC-4	APPLICABLE REGULATIONS
District-Wide Regulations	18.06.060 (R)				18.06.060(F)(2)	18.06.060(HH)	18.06.060(F)(2)						18.130.020	
1. EATING & DRINKING ESTABLISHMENTS														
Drinking Establishments			P		P	P	P		C 18.06.060 (P)		P	P	P	
Drinking Establishments - Existing		P 18.06.060 (GG)				P								
Restaurants, with drive-in or drive-through			P 18.06.060(F)(3)										P 18.06.060 (F)(3)	
Restaurants, with drive-in or drive-through, existing			P				P 18.06.060(U)					C	P	
Restaurants, without drive-in or drive-through	P 18.06.060 (U)(3)	C	P	P 18.06.060(U)(2)	P	P	P 18.06.060(U)(1)	P	P	P	P	P	P	
District-Wide Regulations	18.06.060 (R)				18.06.060(F)(2)	18.06.060(HH)	18.06.060(F)(2)							

TABLE 6.01

PERMITTED AND CONDITIONAL USES

COMMERCIAL DISTRICT	NR	PO/RM	GC	MS	UW	UW-H	DB	AS	CSH	HDC-1	HDC-2	HDC-3	HDC-4	APPLICABLE REGULATIONS
2. INDUSTRIAL USES														
Industry, Heavy														
Industry, Light			C		P/C 18.06.060(N)									
On-Site Treatment & Storage Facilities for Hazardous Waste					P 18.06.060(Q)									
Piers, Wharves, Landings					P									
Printing, Industrial			C		P/C 18.06.060(N)									
Publishing		C	C		P		P		C	C				
Warehousing			P		P/C 18.06.060(AA))		P							
Welding & Fabrication			C		P/C 18.06.060(N)		P							
Wholesale Sales		C 18.06.060 (BB)(3)	P		P/C	18.06.060(BB)		P		P	18.06.060(BB)) (2)			

TABLE 6.01

PERMITTED AND CONDITIONAL USES

COMMERCIAL DISTRICT	NR	PO/RM	GC	MS	UW	UW-H	DB	AS	CSH	HDC-1	HDC-2	HDC-3	HDC-4	APPLICABLE REGULATIONS
Wholesale Products Incidental to Retail Business			P		P	P						P	P	
District-Wide Regulations	18.06.060 (R)				18.06.060(F) (2)	18.06.060(HH)	18.06.060(F) (2)							
3. OFFICE USES (See also SERVICES, HEALTH)														
Banks		P	P		P/C 18.06.060(D) (2)	P 18.06.060(D)(2)	P/C 18.06.060(D) (2)	P	P	P	P	P 18.06.060(D) (1)	P 18.06. 060 (F)(3)	
Business Offices		P	P		P	P	P	P	P	P	P	P	P	
Government Offices		P	P		P	P	P	P	P	P	P	P	P	
District-Wide Regulations	18.06.060 (R)				18.06.060(F) (2)	18.06.060(HH)	18.06.060(F) (2)							
4. RECREATION AND CULTURE														
Art Galleries	P	P	P		P	P	P		P	P	P	P	P	
Auditoriums and Places of Assembly			P		P	P	P					P	P	

TABLE 6.01

PERMITTED AND CONDITIONAL USES

COMMERCIAL DISTRICT	NR	PO/RM	GC	MS	UW	UW-H	DB	AS	CSH	HDC-1	HDC-2	HDC-3	HDC-4	APPLICABLE REGULATIONS
Boat Clubs					P	P								
Boating Storage Facilities					P			P						
Commercial Recreation		C	P		P	P	P	P		C	C	P	P	
Health Fitness Centers and Dance Studios	P	P 18.06.060 (L)	P	P	P	P	P	P	P	P 18.06.060(L)	P 18.06.060(L)	P	P	
Libraries	C	C	C	C	P	P	P		P	C	P	P	P	18.04.060(V)
Marinas/Boat Launching Facilities					P 18.06.060(CC)	P								
Museums		C	P		P	P	P		P	C	C	P	P	18.04.060(V)
Parks, Neighborhood	P	P	P	P	P	P	P		P	P	P	P	P	18.04.060(T)
Parks & Playgrounds, Other	P	P	P	P	P	P	P		P	P	P	P	P	18.04.060(T)
Theaters (Drive-in)			C											
Theaters (No drive-ins)			P		P	P	P				C	P	P	
District-Wide Regulations	18.06.060 (R)				18.06.060(F) (2)	18.06.060(HH)	18.06.060(F) (2)							

TABLE 6.01

PERMITTED AND CONDITIONAL USES

COMMERCIAL DISTRICT	NR	PO/RM	GC	MS	UW	UW-H	DB	AS	CSH	HDC-1	HDC-2	HDC-3	HDC-4	APPLICABLE REGULATIONS
5. RESIDENTIAL														
Apartments		P	P	P	P	P	P		P	P	P	P	P	
Apartments above ground floor in mixed use development	P	P	P	P	P	P	P		P	P	P	P	P	
Boarding Houses		P	P	P	P	P	P		P	P	P	P	P	
Co-Housing		P	P			P	P			P	P		P	
Collegiate Greek system residence, dormitories		C	P	P	P	P	P		P	C	P	P	P	
Duplexes	P	P	P	P			P		P	P	P		P	
Duplexes on Corner Lots	P	P	P	P			P		P	P	P	P	P	18.04.060(HH)
Group Homes (6 or less)	P	P	P 18.06.060(K)	P	P	P	P 18.06.060(K)		P	P	P	P 18.06.060(K)	P 18.06. 060 (K)	18.04.060(K)
Group Homes (7 or more)	C	C	C 18.06.060(K)	C	C	C	C 18.06.060(K)		C	C	C	C 18.06.060(K)	P 18.06. 060 (K)	18.04.060(K)

TABLE 6.01

PERMITTED AND CONDITIONAL USES

COMMERCIAL DISTRICT	NR	PO/RM	GC	MS	UW	UW-H	DB	AS	CSH	HDC-1	HDC-2	HDC-3	HDC-4	APPLICABLE REGULATIONS
Mobile or Manufactured Homes Park - Existing		C	C	C						C			C	18.04.060(P)
Quarters for Night Watch person/Caretaker					P	P								
Retirement Homes		P	P	P	P	P	P		P	P	P	P	P	
Single-Family Residences	P	P	P	P			P		P	P	P	P	P	
Single Room Occupancy Units			C		P	P	P		P				C	
Townhouses	P	P	P	P 18.06.060(T)		P	P		P	P	P	P	P	
Triplexes, Four-plexes, and Cottage Housing		P											P	
District-Wide Regulations	18.06.060 (R)				18.06.060(F) (2)	18.06.060(HH)	18.06.060(F) (2)							
6. RETAIL SALES														
Apparel and Accessory Stores			P		P	P	P					P	P	

TABLE 6.01

PERMITTED AND CONDITIONAL USES

COMMERCIAL DISTRICT	NR	PO/RM	GC	MS	UW	UW-H	DB	AS	CSH	HDC-1	HDC-2	HDC-3	HDC-4	APPLICABLE REGULATIONS
Boat Sales and Rentals			P		P	P	P	P					P	
Building Materials, Garden and Farm Supplies	P		P		P	P	P					P	P	
Commercial Greenhouses, Nurseries, Bulb Farms	C	C 18.04.060 (G)	C	C					C		P	P		18.04.060(G)
Electric Vehicle Infrastructure	P	P	P	P	P 18.06.060(W)	P 18.06.060(W)	P 18.06.060(W)	P	P	P	P	P	P	
Food Stores	P	P 18.06.060 (H)	P		P	P	P		P	P 18.08.060(H)	P	P	P	
Furniture, Home Furnishings, and Appliances			P		P	P	P				P	P	P	
Gasoline Dispensing Facilities accessory to a permitted use	P 18.06.060 (W)(4)		P		P 18.06.060(W)		P 18.06.060(W)(2)	P				P 18.06.060(W)	P 18.06.060(W)	

TABLE 6.01

PERMITTED AND CONDITIONAL USES

COMMERCIAL DISTRICT	NR	PO/RM	GC	MS	UW	UW-H	DB	AS	CSH	HDC-1	HDC-2	HDC-3	HDC-4	APPLICABLE REGULATIONS
Gasoline Dispensing Facility accessory to a permitted use - Existing	P 18.06.060 (W)		P		P 18.06.060(W)		P 18.06.060(W)				P	P 18.06.060(W)	P	
General Merchandise Stores	P	P 18.06.060 (J)	P		P	P	P			P 18.06.060(J)	P	P	P	
Mobile, Manufactured, and Modular Housing Sales			P											
Motor Vehicle Sales			P				P	P					P	
Motor Vehicle Supply Stores			P		P	P	P	P			P	P	P	
Office Supplies and Equipment		P 18.06.060 (DD)	P		P	P	P		P	P 18.06.060(DD)	P	P	P	18.06.060(CC)
Pharmacies and Medical Supply Stores	P	P 18.06.060 (EE)	P	P	P	P	P		P	P 18.06.060(EE)	P	P	P	18.06.060(DD)
Specialty Stores	P 18.06.060 (Y)(3)	P 18.06.060 (Y)(4)	P	C 18.06.060(Y)(2)	P	P	P			P 18.06.060(Y)(4)	P	P 18.06.060(Y) (1)	P	

TABLE 6.01

PERMITTED AND CONDITIONAL USES

COMMERCIAL DISTRICT	NR	PO/RM	GC	MS	UW	UW-H	DB	AS	CSH	HDC-1	HDC-2	HDC-3	HDC-4	APPLICABLE REGULATIONS
District-Wide Regulations	18.06.060 (R)				18.06.060(F)(2)	18.06.060(HH)	18.06.060(F)(2)							
7. SERVICES, HEALTH														
Hospitals				P			P		P					
Nursing, Congregate Care, and Convalescence Homes	C	P	C	P			C		C	C	C	P	P	18.04.060(S)
Offices, Medical		P	P	P	P	P	P	P	P	P	P	P	P	
Veterinary Offices/Clinics		P	P	P			P			P	P	P	P	
District-Wide Regulations	18.06.060 (R)				18.06.060(F)(2)	18.06.060(HH)	18.06.060(F)(2)							
8. SERVICES, LODGING														
Bed & Breakfast Houses (1 guest room)	P	P 18.06.060 (E)	P 18.06.060(E)	P 18.06.060(E)	P	P	P			P	P	P	P	18.04.060(L)(3)(c)
Bed & Breakfast Houses (2 to 5 guest rooms)	C	P 18.06.060 (E)	P 18.06.060(E)	P 18.06.060(E)	P	P	P		C	P	P	P	P	18.04.060(L)(3)(c)

TABLE 6.01

PERMITTED AND CONDITIONAL USES

COMMERCIAL DISTRICT	NR	PO/RM	GC	MS	UW	UW-H	DB	AS	CSH	HDC-1	HDC-2	HDC-3	HDC-4	APPLICABLE REGULATIONS
Short Term Rentals-Vacation Rentals	P	P	P	P	P	P	P		P	P	P	P	P	P
Hotels/Motels			P	C	P		P		P				P	
Lodging Houses		P	P	P	P		P		P	P	P	P	P	
Recreational Vehicle Parks			P										P	
District-Wide Regulations	18.06.060 (R)				18.06.060(F) (2)	18.06.060 (HH)	18.06.060(F) (2)							
9. SERVICES, PERSONAL														
Adult Day Care Home	P	P	P	P	P	P	P		P	P	P	P	P	18.04.060(L)(3) (b)
Child Day Care Centers	C	P	P	P	P	P	P		P	P	C	P	P	18.04.060(D)
Crisis Intervention	C	P	C	P			P		C	P	C	C	C	18.04.060(I)
Family Child Care Homes	P	P	P	P	P	P	P		P	P	P	P	P	18.04.060(L)
Funeral Parlors and Mortuaries		C	P				P			C		P	P	

TABLE 6.01

PERMITTED AND CONDITIONAL USES

COMMERCIAL DISTRICT	NR	PO/RM	GC	MS	UW	UW-H	DB	AS	CSH	HDC-1	HDC-2	HDC-3	HDC-4	APPLICABLE REGULATIONS
Laundries and Laundry Pick-up Agencies	P	P	P	P	P	P	P			P	P	P 18.06.060(O))	P	
Personal Services	P	P	P	P	P	P	P	P	P	P	P	P	P	
District-Wide Regulations	18.06.060 (R)				18.06.060(F) (2)	18.06.060(HH)	18.06.060(F) (2)							
10. SERVICES, MISCELLANEOUS														
Auto Rental Agencies			P		P	P	P	P			C	P	P	
Equipment Rental Services, Commercial			P		P		P				P	P	P	
Equipment Rental Services, Commercial - Existing		P 18.06.060 (FF)												
Ministorage			P				P							
Printing, Commercial	P	P	P		P	P	P		P	P	P	P	P	
Public Facilities (see also Public Facilities, Essential on next page)	C	C	C	C	P	C	P	P	P	C	C	C	C	18.04.060(V)
Radio/T.V. Studios		P	P		P	P	P		P	P	P	P	P	

TABLE 6.01

PERMITTED AND CONDITIONAL USES

COMMERCIAL DISTRICT	NR	PO/RM	GC	MS	UW	UW-H	DB	AS	CSH	HDC-1	HDC-2	HDC-3	HDC-4	APPLICABLE REGULATIONS
Recycling Facilities	P	P	P	P	P		P		P	P	P	P	P	18.06.060(V)
School - Colleges and Business, Vocational or Trade Schools		C	P		P	P	P		P	C	C	C	P	18.06.060(X)
Service and Repair Shops			P				P	P				P	P	
Service Stations/Car Washes			P				P 18.06.060(W))	P				P 18.06.060(W)	P 18.06.060(W)	
Service Stations/Car Washes - Existing			P		P 18.06.060(W))		P 18.06.060(W))				P	P 18.06.060(W)	P 18.06.060(W)	
Servicing of Personal Apparel and Equipment	P	P	P		P	P	P			P	P	P	P	
Truck, Trailer, and Recreational Vehicle Rentals			P					P						
Workshops for Disabled People	C	C	C	C	P	C	P		C	C	C	C	C	18.04.060(R)

TABLE 6.01

PERMITTED AND CONDITIONAL USES

COMMERCIAL DISTRICT	NR	PO/RM	GC	MS	UW	UW-H	DB	AS	CSH	HDC-1	HDC-2	HDC-3	HDC-4	APPLICABLE REGULATIONS
District-Wide Regulations	18.06.060 (R)				18.06.060(F)(2)	18.06.060(HH)	18.06.060(F)(2)							
11. PUBLIC FACILITIES, ESSENTIAL														
Airports			C										C	18.06.060(G)
Inpatient Facilities		C	C	C 18.06.060(T)	C		C		C	C	C	P	P	18.06.060(G) 18.04.060(K)
Jails			C		C		C		C				C	18.06.060(G)
Mental Health Facilities			C	C 18.06.060(T)	C		C						C	18.06.060(G) 18.04.060(K)
Other Correctional Facilities		C	C	C 18.06.060(T)	C	C	C		C	C	C	C	C	18.06.060(G)
Other facilities as designated by the Washington State Office of Financial Management, except prisons and solid waste handling facilities		C	C		C		C			C	C	C	C	18.06.060(G)

TABLE 6.01

PERMITTED AND CONDITIONAL USES

COMMERCIAL DISTRICT	NR	PO/RM	GC	MS	UW	UW-H	DB	AS	CSH	HDC-1	HDC-2	HDC-3	HDC-4	APPLICABLE REGULATIONS
Radio/TV and Other Communication Towers and Antennas	C	C	C	C	C	C	C	C	C	C	C	C	C	18.06.060(G) 18.44.100
Sewage Treatment Facilities	C	C	C	C	P		P		C	C	C	C	C	18.06.060(G) 18.04.060(X)
State Education Facilities		C	C		C		C		C	C	C	C	C	18.06.060(G) 18.06.060(X)
State or Regional Transportation Facilities	C	C	C	C	C	C	C		C	C	C	C	C	18.06.060(G)
District-Wide Regulations	18.06.060 (R)				18.06.060(F) (2)	18.06.060(HH)	18.06.060(F) (2)							
12. TEMPORARY USES														
Entertainment Events			P		P	P	P						P	
Off Site Contractor Offices	P	P	P	P	P	P	P	P	P	P	P	P	P	18.04.060(DD)
Emergency Housing	P	P	P	P	P			P	P	P	P	P	P	18.04.060(DD)
Emergency Housing Facilities	P	P	P	P	P	P	P	P	P	P	P	P	P	18.50

TABLE 6.01

PERMITTED AND CONDITIONAL USES

COMMERCIAL DISTRICT	NR	PO/RM	GC	MS	UW	UW-H	DB	AS	CSH	HDC-1	HDC-2	HDC-3	HDC-4	APPLICABLE REGULATIONS
Fireworks, as determined by Fire Dept.			P		P	P	P				P	P	P	9.48.160
Mobile Sidewalk Vendors		P	P	P	P	P	P			P	P	P	P	
Parking Lot Sales			P		P	P	P	P			P	P	P	
Residences Rented for Social Event (6 or less in 1 year)	P	P	P	P	P	P	P		P	P	P	P	P	18.04.060(DD)
Residences Rented for Social Event (7 or more in 1 year)	C	C	C	C	C	C	C		C	C	C	C	C	
Temporary Surface Parking Lot		P	P		P	P	P		P					
District-Wide Regulations	18.06.060 (R)				18.06.060(F)(2)	18.06.060(HH)	18.06.060(F)(2)							
13. OTHER USES														
Accessory Structures/Uses														
Adult Oriented Businesses			P										P	18.06.060(B)
Agriculture	P	P	P	P					P	P	P	P	P	

TABLE 6.01

PERMITTED AND CONDITIONAL USES

COMMERCIAL DISTRICT	NR	PO/RM	GC	MS	UW	UW-H	DB	AS	CSH	HDC-1	HDC-2	HDC-3	HDC-4	APPLICABLE REGULATIONS
Animals	P	P	P	P	P	P	P		P	P	P	P	P	18.06.060(C)
Cemeteries	C	C	C	C					C	C	C		C	
Conference Center			P		P	P	P						P	
Gambling Establishments			C											
Garage/Yard/Rumma ge and Other Outdoor Sales	P	P	P	P	P	P	P		P	P	P	P	P	5.24
Home Occupations	P	P	P	P	P	P	P		P	P	P	P	P	18.04.060(L)
Parking Facility, Commercial		P	P		P	P	P 18.06.060(S)			P	P	P 18.06.060(S)	P	18.04.060(V)
Places of Worship	C	C	P	C	P	P	P		C	C	C	P	P	18.04.060(U)
Racing Pigeons	C	C	C	C					C	C	C	C	C	18.04.060(Y)
Satellite Earth Stations	P	P	P	P	P	P	P	P	P	P	P	P	P	18.44.100
Schools	C	C	P	C	C	C	C		C	C	C	P	P	18.04.060(DD)
Social Organizations		P	P		P	P	P		P/C 18.06.060 (I)	P	P	P	P	
Utility Facility	P/C	P/C	P/C	P/C	P/C	P/C	P/C	P/C	P/C	P/C	P/C	P/C	P/C	18.04.060(X)

TABLE 6.01

PERMITTED AND CONDITIONAL USES

COMMERCIAL DISTRICT	NR	PO/RM	GC	MS	UW	UW-H	DB	AS	CSH	HDC-1	HDC-2	HDC-3	HDC-4	APPLICABLE REGULATIONS
Wireless Communications Facilities	P/C	P/C	P/C	P/C	P/C	P/C	P/C	P/C	P/C	P/C	P/C	P/C	P/C	18.44

LEGEND

P = Permitted Use

MS = Medical Services

DB = Downtown Business

C = Conditional Use

PO/RM = Professional Office/Residential Multifamily

AS=Auto Services

NR = Neighborhood Retail

GC = General Commercial

UW = Urban Waterfront

UW-H = Urban Waterfront-Housing

CSH = Commercial Services-High Density

HDC-1=High Density Corridor-1

HDC-2=High Density Corridor-2

HDC-3=High Density Corridor-3

HDC-4=High Density Corridor-4



Section 9. Amendment of OMC 18.38.100. Olympia Municipal Code Subsection 18.38.100 is hereby amended to read as follows:

18.38.100 Vehicular and bicycle parking standards

A. Required Vehicular and Bicycle Parking. A minimum number of bicycle parking spaces are required as set forth in Table 38-01 below. The specific number of motor vehicle parking spaces set forth in Table 38-01 +/- ten percent (10%) shall be provided, unless varied pursuant to OMC [18.38.080](#) or other provision of this code. Any change in use which requires more parking shall install vehicular and bicycle facilities pursuant to Table 38.01 and consistent with the location standards of OMC [18.38.220](#).

B. Building Area. All vehicle parking standards are based on the gross square feet of building area, unless otherwise noted.

C. Residential Exceptions.

1. New residential land uses in the Downtown Exempt Parking Area do not require motor vehicle parking. See OMC [18.38.160](#).
2. Residential land uses in the CSH, RMH, RMU, and UR Districts require only one (1) vehicle parking space per unit.
3. Table 38.01 notwithstanding, senior (age 55 or 62 and over) multi-family housing requires three (3) motor vehicle parking spaces per four (4) units. This exception is at the discretion of the applicant and only applicable if an appropriate age-restriction covenant is recorded.

D. Reserved Area for Bicycle Spaces. Where specified in Table 38.01 below, an area shall be designated for possible conversion to bicycle parking. Such reserve areas must meet the location requirements of short-term parking and may not be areas where pervious surfaces or landscaping is required. A cover is not required for such areas.

TABLE 38.01

Use	Required Motor Vehicle Parking Spaces	Minimum Required Long-Term Bicycle Spaces	Minimum Required Short-Term Bicycle Spaces
COMMERCIAL			
Carpet and Furniture Showrooms	One and one-quarter (1.25) space per one thousand (1000) sq. ft. of gross showroom floor area. Each store shall have a minimum of four (4) spaces.	One per sixteen thousand (16,000) square feet of showroom floor area. Minimum of two (2).	One per eight thousand (8,000) square feet of showroom floor area. Minimum of two (2).
Child and Adult Day Care	One (1) space for each staff member plus 1 space for each ten		

TABLE 38.01

Use	Required Motor Vehicle Parking Spaces	Minimum Required Long-Term Bicycle Spaces	Minimum Required Short-Term Bicycle Spaces
	(10) children/adults if adequate drop-off facilities are provided. Adequate drop-off facilities must allow a continuous flow of vehicles which can safely load and unload children/adults. Compliance with this requirement shall be determined by the review authority.		
Hotel and Motel	One (1) space for each room or suite and one (1) space per manager's unit. Hotel/motel banquet and meeting rooms shall provide six (6) spaces for each thousand (1000) square feet of seating area. Restaurants are figured separately.	One (1) per ten (10) rooms. Minimum of two (2).	One (1) per thousand (1,000) square feet of banquet and meeting room space. Minimum of two (2).
Markets, Shopping Centers and Large Retail/Wholesale Outlets	Less than 15,000 sq. ft = 3.5 spaces for each 1000 sq. ft. of gross floor areas. 15,001 to 400,000 sq. ft = 4 spaces for each 1000 sq. ft. of gross floor area. More than 400,001 sq. ft. = 4.5 spaces per 1000 sq. ft. of gross floor area.	One per six thousand (6,000) square feet. Maximum of five (5); minimum of one (1).	One per three thousand (3,000) square feet. Maximum of ten (10) per tenant; minimum of two (2) within fifty (50) feet of each customer entrance.
Medical and Dental Clinics	Four (4) spaces per 1000 sq. ft. of gross floor area.	One (1) per 10,000 square feet. Minimum of two (2).	One (1) per 10,000 square feet, minimum of two (2) within fifty (50) feet of each customer entrance; plus an equal reserved area for adding spaces.
COMMERCIAL			
Ministorage	Three (3) spaces minimum or (1) space for every one hundred (100) storage units, and two (2) spaces for permanent on-site managers.	None	None

TABLE 38.01

Use	Required Motor Vehicle Parking Spaces	Minimum Required Long-Term Bicycle Spaces	Minimum Required Short-Term Bicycle Spaces
Mixed Uses	Shared parking standards shall be used to calculate needed parking. This calculation is based upon the gross leasable area (GLA) for each shop or business and does not include atriums, foyers, hallways, courts, maintenance areas, etc. See shared parking 18.38.180.	See individual use standards.	See individual use standards
Mortuaries and Funeral Parlors	One (1) space per seventy-five (75) square feet of assembly area or thirteen (13) stalls per 1000 sq. ft.	One (1)	Two (2)
Offices, General	Gross floor area up to 2000 sq. ft = One (1) space for each 250 sq. ft. Gross floor area between 2001 to 7500 sq. ft. = One (1) space for each 300 sq. ft. Gross floor area between 7501 to 40,000 sq. ft. = One (1) space for each 350 sq. ft. Gross floor area of 40001 and greater = One (1) space for each 400 sq. ft.	One (1) per ten thousand (10,000) square feet. Minimum of two (2).	One (1) per ten thousand (10,000) square feet; plus an equal reserved area for adding spaces. Minimum of two (2).
Offices, Government	3.5 spaces per one thousand (1000) sq. ft.	One (1) per five thousand (5,000) square feet. Minimum of two (2).	One (1) per five thousand (5,000) square feet; minimum of two (2); plus an equal reserved area for adding spaces.
Retail Uses	Three and a half (3.5) spaces per one thousand (1000) sq. ft.	One per six thousand (6,000) square feet. Maximum of five (5); minimum of one (1).	One per three thousand (3,000) square feet. Maximum of ten (10) per tenant; minimum of two (2) within fifty (50) feet of each customer entrance.

TABLE 38.01

Use	Required Motor Vehicle Parking Spaces	Minimum Required Long-Term Bicycle Spaces	Minimum Required Short-Term Bicycle Spaces
Service Station (mini-marts are retail uses)	Three and a half (3.5) spaces per one thousand (1000) sq. ft. g.f.a. or 1 space per 300 sq. ft.	None.	None
Warehouse, Distribution	1 space for each thousand (1000) sq. ft. or 1 space for each employee.	One (1) per forty thousand (40,000) square feet or one (1) per forty (40) employees. Minimum of one (1).	None.
Warehouse Storage	Gross Floor area of 0-10,000 sq. ft. = One (1) space for each one thousand (1000) sq. ft. Gross floor area between 10,001 – 20,000 sq. ft. = ten (10) spaces plus .75 space for each additional one thousand (1000) sq. ft. beyond ten thousand (10,000) sq. ft. Over 20,000 sq. ft. = eighteen (18) spaces plus .50 for each additional 1000 sq. ft. beyond 20,000 sq. ft., or 1 space for each employee.	One (1) plus one (1) for each eighty thousand (80,000) square feet above sixty-four thousand (64,000) square feet; or one (1) per forty (40) employees. Minimum of one (1).	None
INDUSTRIAL			
Manufacturing	One (1) for each two (2) employees on the largest shift, with a minimum of two (2) spaces.	One (1) for each thirty (30) employees on largest shift. Minimum of two (2).	One (1) for each thirty (30) employees on largest shift. Minimum of two (2).
INSTITUTIONAL			
Beauty Salons/ Barber Shops, Laundromats/Dry Cleaners, and Personal Services		One per six thousand (6,000) square feet. Minimum of one (1).	One per three thousand (3,000) square feet. Minimum of two (2).
Educational Facilities (to include business, vocational, universities, and		One (1) per five (5) auto spaces. Minimum of two (2)	One (1) per five (5) auto spaces. Minimum of four (4).

TABLE 38.01

Use	Required Motor Vehicle Parking Spaces	Minimum Required Long-Term Bicycle Spaces	Minimum Required Short-Term Bicycle Spaces
other school facilities).			
Elementary and Middle School	One (1) stall per twelve (12) students of design capacity.	One (1) per classroom.	Three (3) per classroom.
Farmers Market		None	One (1) per ten (10) auto stalls. Minimum of ten (10).
High School	One (1) space per classroom and office, plus one (1) space for each four (4) students that are normally enrolled and are of legal driving age. Public assembly areas, such as auditoriums, stadiums, etc. that are primary uses may be considered a separate use.	One per five (5) classrooms, plus one (1) for each forty (40) students (may also require one (1) per four thousand five hundred (4,500) assembly seats). Minimum of two (2).	One per five (5) classrooms, plus one (1) for each forty (40) students (may also require one (1) per four thousand five hundred (4,500) assembly seats). Minimum of four (4).
Hospitals, Sanitariums, Nursing Homes, Congregate Care, Rest Homes, Hospice Care Home and Mental Health Facilities.	One (1) for each two (2) regular beds, plus one (1) stall for every two (2) regular employees on the largest shift.	One (1) per thirty (30) beds, plus one (1) per thirty (30) employees on largest shift. Minimum of two (2).	One (1) per thirty (30) beds, plus one (1) per thirty (30) employees on largest shift. Minimum of two (2).
Libraries and Museums	One (1) space per three hundred (300) square feet of public floor area or 3.3 spaces per thousand (1000) sq. ft. Six (6) stalls either on-site or on-street directly adjacent to the property. The Director may allow pervious-type parking surfaces.	One (1) per six thousand (6,000) square feet of public floor area. Minimum of two (2).	One (1) per one thousand five hundred (1,500) square feet of public floor area. Minimum of four (4).
Marinas		Minimum of four (4).	One (1) per ten (10) auto stalls. Minimum of four (4).
Other Facilities Not Listed		None	One (1) per twenty-five (25) auto stalls. Minimum of two (2).

TABLE 38.01

Use	Required Motor Vehicle Parking Spaces	Minimum Required Long-Term Bicycle Spaces	Minimum Required Short-Term Bicycle Spaces
Park-N-Ride Lots and Public (Parking) Garages		One (1) per fifteen (15) auto stalls Minimum of four (4)	Two (2).
Parks		None	One (1) per five (5) auto stalls. Minimum of four (4).
Transit Centers		Ten (10).	Ten (10).
PLACES OF ASSEMBLY			
Passenger Terminal Facilities	One (1) space for each one hundred (100) square feet of public floor area or ten (10) spaces per thousand (1000) sq. ft.	Minimum of ten (10)	Minimum of ten (10)
Place of Worship	One (1) space per four (4) seats. When individual seats are not provided, one (1) space for each six (6) feet of bench or other seating. The Director may use a ratio of six (6) stalls/1000 sq. ft. of assembly area where seats or pews are not provided or when circumstances warrant increased parking; e.g., large regional congregations which attract a large congregation or one which has multiple functions. See shared parking. 18.38.180	One (1) per 10,000 square feet of gross floor area.	One (1) per 160 seats or 240 lineal feet of bench or other seating, and one (1) per 6,000 square feet of assembly area without fixed seats. Minimum of four (4).
Private Clubs or Lodges (does not include health clubs or retail warehouse)	Six (6) spaces per thousand (1000) sq. ft.	One (1) per 6,000 square feet. Minimum of one (1).	One (1) per 6,000 square feet. Minimum of two (2).
Theater and Auditorium	One (1) space for each four and a half (4.5) fixed seats. If the theater or auditorium is a component of a larger commercial development the above parking standard may be modified to account for shared parking as provided in Section 18.38.180 of this Code	One (1) per 450 fixed seats. Minimum of one (1).	One (1) per 110 fixed seats. Minimum of four (4).

TABLE 38.01

Use	Required Motor Vehicle Parking Spaces	Minimum Required Long-Term Bicycle Spaces	Minimum Required Short-Term Bicycle Spaces
Theater and Auditorium without fixed seats	One (1) space for each three (3) permitted occupants. Maximum building occupancy is determined by the Fire Marshal.	One (1) per 300 permitted occupants. Minimum of one (1).	One (1) per 75 permitted occupants. Minimum of four (4).
RECREATION/AMUSEMENT			
Bowling Alleys	Five (5) spaces for each alley.	One (1) per twelve (12) alleys. Minimum of one (1).	One (1) per four (4) alleys. Minimum of four (4).
Health Club	Four (4) spaces for each thousand (1000) sq. ft.	One (1) per 5,000 square feet. Minimum one (1).	One (1) per 2,500 square feet. Minimum of four (4).
Skating Rinks and Other Commercial Recreation	Five (5) spaces per thousand (1000) sq. ft.	One (1) per 8,000 square feet. Minimum of one (1).	One (1) per 4,000 square feet. Minimum of four (4).
RESIDENTIAL			
Accessory Dwelling Unit	None	None	None
Bed and Breakfast	One (1) space in addition to space(s) required for the residential unit.	One (1) per ten (10) rooms. Minimum of one (1).	None
Collegiate Greek system residences and dormitories	One (1) space for every three (3) beds, plus one (1) space for the manager.	One per fourteen (14) beds. Minimum of two (2).	Ten (10) per dormitory, or Collegiate Greek system residence
Community Club Houses		None	One (1) per ten (10) auto stalls. Minimum of two (2).
Cottage Housing	One (1) space per unit or 1.5 space per unit if on-street parking is not available along street frontage (One (1) space per twenty (20) linear feet).	One per five (5) units, or one (1) per three (3) units if no on-street parking. Minimum of two (2).	One per ten (10) units, or one (1) per six (6) units if no on-street parking. Minimum of two (2).
Elder Care Home	One (1) space in addition to space(s) required for the residential unit.	Minimum of two (2).	Minimum of two (2).

TABLE 38.01

Use	Required Motor Vehicle Parking Spaces	Minimum Required Long-Term Bicycle Spaces	Minimum Required Short-Term Bicycle Spaces
Fraternities, Sororities and Dormitories	One (1) space for every three (3) beds, plus one (1) space for the manager.	One per fourteen (14) beds. Minimum of two (2).	Ten (10) per dormitory, fraternity or sorority building.
Group Home	One (1) space for each staff member plus one (1) space for every five (5) residents. Additionally, one (1) space shall be provided for each vehicle used in connection with the facility.	One (1) per ten (10) staff members plus one (1) per thirty (30) residents. Minimum of one (1). Additional spaces may be required for conditional uses.	None
Home Occupations	None, except as specifically provided in this table.	None	None
Mobile Home Park	Two (2) spaces per lot or unit, whichever is greater. If recreation facilities are provided, one (1) space per ten (10) units or lots.	None	None
Triplex, when in a zoning district with a maximum density of twelve units per acre or less	Five (5) spaces.	None	None
Multifamily Dwellings	Three or more units shall provide one and one-half (1.5) off-street parking spaces per dwelling unit. Multifamily dwelling units located on HDC-4 properties, where the new project provides for the development of replacement dwelling units in a development agreement, and the project site is all or part of an area of 40 acres or more that was in contiguous ownership in 2009, are exempt from the parking requirements of this section. If parking is voluntarily provided by the property owner, then the Director shall permit such	One (1) storage space per unit that is large enough for a bicycle.	One (1) per ten (10) units. Minimum of two (2) per building.

TABLE 38.01

Use	Required Motor Vehicle Parking Spaces	Minimum Required Long-Term Bicycle Spaces	Minimum Required Short-Term Bicycle Spaces
	parking to be shared with parking provided for non-residential development on the property.		
Single Family to include Duplex and Townhouse.	Two (2) spaces per unit. Note: parking spaces may be placed in tandem (behind the other). DB, CSH and RMH zone districts require one (1) space/unit.	None	None
Studio Apartments.	Apartments with one (1) room enclosing all activities shall provide one (1) off-street parking space per dwelling unit	None	One (1) per ten (10) units. Minimum of two (2) per building.
Short Term Rental	One (1) additional space when there are more than two bedrooms rented in one dwelling unit, and (1) space when there are two vacation rentals on one parcel and one is a single-family home.	None	None
RESTAURANT			
Cafes, Bars and other drinking and eating establishments.	Ten (10) spaces per thousand (1000) sq. ft.	One per 2,000 square feet; minimum of one (1).	One per 1,000 square feet; minimum of one (1).
Car Hop	One (1) for each fifteen (15) square feet of gross floor area.	One per 300 square feet; minimum of one (1).	One per 150 square feet; minimum of one (1).
Fast Food	Ten (10) spaces per thousand (1000) square feet plus one (1) lane for each drive-up window with stacking space for six (6) vehicles before the menu board.	One per 2,000 square feet; minimum of one (1).	One per 1,000 square feet; minimum of one (1).

Section 10. Amendment of OMC 18.43.130. Olympia Municipal Code Subsection 18.43.130 is hereby amended to read as follows:

18.43.130 Residential Sign Zone

Permanent Signs are permitted in the Residential Sign Zone, subject to the provisions below.

- A. Permanent sign regulations in Residential Sign Zone.

1. Permanent signs in the residential sign zone are limited in their type, size, and placement.
2. Permanent signs for approved non-residential uses, such as a place of worship or a school, and multifamily complexes are allowed.

B. Permanent signs - Residential properties.

1. Residential Subdivisions. One freestanding sign per street frontage which has a driveway entry into the subdivision, up to fifty (50) square feet in size (25) square feet per side if double sided).
2. Home Occupations and short-term rentals. On residential properties for which the City has issued a valid City business license for home occupation or short-term rental, one permanent sign is allowed pursuant to the following:
 - a. The sign must be a wall sign placed on the facade of the primary structure; the sign message may be of a commercial or noncommercial nature.
 - b. The maximum sign size shall not be greater than two square feet.
 - c. Where a sign placed on the building's facade cannot be seen from a public street due to the distance the building is setback from the street, the City may approve an alternative sign size, type, or location. Such review shall be on a case-by-case basis and balance the purpose of the zoning district with the needs of a home based business. In no case shall the sign exceed ten (10) square feet in size (five (5) square feet per side if freestanding and double-sided).
 - d. The sign must appear to be a secondary feature of the building facade.
 - e. The sign shall not project above the roof line of the exposed building face to which it is attached.
 - f. The sign shall be installed to appear flush-mounted.
 - g. Internal illumination is not allowed.
 - h. A temporary Open sign may be displayed discretely in a window during business hours only.

Table 43-8: Permanent Signs for Residential Uses in Residential Sign Zone

Permanent Signs – Residential Uses (Not Including Apartment Complexes)		
Home Occupation Businesses and Short-Term Rentals	Up to two square feet, flush mounted near entrance	1 per licensed Home Occupation business or short-term rental only
Home Occupation Business abutting west side of 300 and 400 blocks of West Bay Drive NW	Up to five square feet if flush mounted near entrance or up to	1 per licensed Home Occupation business only

Table 43-8: Permanent Signs for Residential Uses in Residential Sign Zone

Permanent Signs – Residential Uses (Not Including Apartment Complexes)		
	five square feet per side if freestanding	
Development Identification Signs	Freestanding Sign for Residential Subdivisions, up to 50 square feet (or 25 square feet per side).	1 per street frontage which has an entry to the development
Permanent Signs – Non-Residential Uses and Apartment/Multifamily Complexes		
Identification signs for non-residential uses	1 freestanding or building mounted sign per driveway access from a street. If freestanding, maximum height is 4 ft.	<ul style="list-style-type: none"> • Academic schools – up to 100 sq. ft. maximum; • Other Uses: Up to 24 sq. ft. in size (12 sq. ft. per side if double-sided).
Secondary wall signs for non-residential uses	1 per exterior public entrance to the building	Up to 12 square feet of sign area to identify the primary destination of the entrance (e.g. office, library, gymnasium sanctuary).
Identification Signs for Apartment/Multifamily Complexes	Building mounted sign (flush mounted only) or Freestanding sign. <ul style="list-style-type: none"> • Multi-family uses - up to 16 sq. ft. maximum; Double sided signs: 1/2 the max.	1 per use. Except multi-family uses in RM-18, RM-24 & RMH: 2 signs are permitted where there are entrances off 2 public rights-of-way.
Identification Signs for Individual Uses in Multiple Occupancy Buildings	Building mounted sign to be flush mounted only. <ul style="list-style-type: none"> • Academic schools – up to 100 sq. ft. maximum; • Multi-family uses - up to 16 sq. ft. maximum; • All other uses - 24 sq. ft. maximum. Double sided signs: 1/2 the max.	
Driveway Entrance/Exit Signs	Freestanding only. 5 square feet total (2.5 square feet per side if double sided)	1 per driveway

Table 43-8: Permanent Signs for Residential Uses in Residential Sign Zone

Permanent Signs – Residential Uses (Not Including Apartment Complexes)		
Directional	18.43.070	
Public Service	18.43.070	

C. Permanent Signs – Nonresidential Uses. It is customary and common to have nonresidential uses in residential areas, such as schools, places of worship, daycare centers, public facilities such as fire stations or substations, and other similar uses. These uses are generally allowed by conditional use permit and are an important part of our community. These uses have signage needs that are different and distinct from residential uses. Signs may be permitted, as follows:

1. Lighting. All signs, with the exception of the Public Service portion of signage, are encouraged to use indirect lighting for signage. Lighting shall be directed to the sign face and away from residential properties. The electronic portion of any public service sign for academic uses must be turned off between the hours of 9:00 p.m. and 6:00 a.m.
2. Directional Signage. Uses that have more than one public entrance, such as schools with separate entrances for libraries, gymnasiums, theaters, the main office, and other uses that are most likely to experience visitors are encouraged to provide directional signage.

D. Except as otherwise provided for in this chapter, temporary signs in the residential sign zone do not require sign permits and are allowed pursuant to the following regulations:

1. Noncommercial. All temporary signs in the residential sign zone shall only display noncommercial copy, unless otherwise allowed (e.g. real estate, construction signs). For the purposes of this chapter, garage and yard sale signs are considered to be temporary and noncommercial signage.
2. Sign Types – Construction – Materials. There is no restriction on the type of temporary sign (i.e., the sign construction or materials used) allowed on residential properties provided that all other regulations and provisions of this chapter are met.
3. Quantity. There are no restrictions on the number of temporary signs allowed on private property in the residential sign zone.
4. Size.
 - a. Temporary Freestanding Signs. No temporary freestanding sign shall be greater than twelve (12) square feet in size, with no sign face exceeding six (6) square feet. The sign shall not exceed four (4) feet in height, as measured from the ground to the top of the sign.
 - b. Building-Mounted Signs. Building-mounted temporary signs attached flush to the face of the building:

- Shall not have a maximum height; provided, that no sign shall extend beyond the roofline of the building; and
- In aggregate (i.e., the total of all building-mounted temporary signs) shall not cover more than twenty (20) percent of the building's facade.

5. Window Signs. Signs placed in or on windows shall, in aggregate, not exceed twenty-five (25) percent of the area of the window on which they are displayed.

6. Yard/Lawn Signs. In accordance with standards outlined in Section [18.43.080](#).

7. Garage Sale (Yard Sales, Moving Sales, Patio Sales). No sign permit or Temporary Sign Agreement is required. Such sign shall be limited to one sign on the premises and three offpremises signs. No such sign shall exceed four square feet in sign area. The sign or signs may be displayed only during the sale and must be removed the day the sale ends. The person or persons for which the sign or signs are displayed shall be responsible for removal and/or is subject to the penalties as provided in this code. Any such signs placed in the right of way shall comply with the standards in Section E, below.

E. Temporary Signs in Planter Strip. Temporary signs may be placed in the planter strip (the landscaped area between the curb and sidewalk) or unimproved right-of-way pursuant to the following:

1. No more than three (3) temporary signs are allowed in the right of way per street frontage, per lot. For residential properties actively for sale or lease, one of the three temporary signs may be a real estate sign.
2. No temporary sign may be greater than four (4) feet in height above grade and is subject to the clear view sight triangle standards per Chapter 4 of the Engineering Design and Development Standards.
3. Temporary signs in the right of way may only contain noncommercial messages and must meet the standards of Sections [18.43.060](#) and [18.43.085](#).

F. Duration. Any temporary sign that is specific to an event shall be removed within five (5) days of the end of the event, unless otherwise stated in this chapter.

Section 11. Amendment of OMC 18.72.100. Olympia Municipal Code Subsection 18.72.100 is hereby amended to read as follows:

18.72.100 Review and appeal authority

The following table describes development permits and the final decision and appeal authorities. When separate applications are consolidated at the applicant's request, the final decision shall be rendered by the highest authority designated for any part of the consolidated application

KEY:

- Director = Community Planning and Development Director or designee
- SPRC = Site Plan Review Committee

KEY:

- DRB = Design Review Board
- PC = Planning Commission
- HC = Heritage Commission
- HE = Hearing Examiner
- Council = City Council
- R = Recommendation to Higher Review Authority
- D = Decision
- O = Open Record Appeal Hearing
- C = Closed Record Appeal Hearing

[NOTE: City Council decisions may be appealed to Superior Court except comprehensive plan decisions which may be appealed to the State Growth Management Hearings Board.]

Director SPRC DRB PC HC HE Council

ZONING

Conditional Use Permit		R			D	
Interpretations	D				O	
Land Use Review	D ¹	R			O	
Small Lot Review	D				O	
Townhouse (2 – 4 Units)	D				O	
Townhouse (10 or more units)		R	R		D	
Townhouse Final (2-9)	D				O	
Townhouse Final (10 or more)		R				D
Zoning Variance	R				D	
Zone Map Change, without Plan Amendment	R				R	D
Zone Change, with Plan Amendment or Ordinance Text Amendment	R			R		D
Home Occupation	D				O	
Temporary Use Permit	D				O	
SEPA exempt Building Permit	D				O	
Parking or Fence Variance	D	R			O	
Accessory Dwelling Unit	D				O	
Short Term Rental-Vacation Rental	D				O	
Accessory Building	D				O	
Occupancy Permit	D				O	

	Director	SPRC	DRB	PC	HC	HE	Council
Sign Permit	D					O	
Landscape Plan	D					O	
Tree Plan	D					O	
Historic Properties	D	R			R	O	
COMPREHENSIVE PLAN							
Amendments (map, text)	R			R			D
DESIGN REVIEW							
Detailed Review	D		R				
major			O				
Concept Review	D	R	R			O	
Signs (general)	D					O	
Scenic Vistas	D	R	R			O	
ENVIRONMENTAL							
Threshold Determination	D					O	
Impact Statement Adequacy	D					O	
Reasonable Use Exception	R					D	
SEPA Mitigating Conditions	D					O	
Major Shoreline Substantial Development Permit		R				D	
Shoreline Conditional Use Permit		R				D	
Shoreline Variance		R				D	
Shoreline Permit Revision or Exemption	D					O	
SUBDIVISION							
Boundary Line Adjustment (including lot consolidation)	D					O	
Preliminary Plat, Long	R					D	
Preliminary Short, (2-9 lots)	D ¹					O	
Final Short Plat	D					O	
Final Long Plat	D					O	
Master Plan Approval	R		R			R	D
MPD Project Approval		R	R			D	
Preliminary PRD		R				R	D
Final PRD		R					D
Time Extensions	D					O	

¹ Except when the Director refers the project for a public hearing before the Hearing Examiner pursuant to OMC [18.60.080](#) or [17.32.130\(A\)\(4\)](#). **Section 12. Corrections.** The City Clerk and codifiers of this

Ordinance are authorized to make necessary corrections to this Ordinance, including the correction of scrivener/clerical errors, references, ordinance numbering, section/subsection numbers and any references thereto.

Section 13. Severability. If any provision of this Ordinance or its application to any person or circumstance is held invalid, the remainder of the Ordinance or application of the provisions to other persons or circumstances shall remain unaffected.

Section 14. Ratification. Any act consistent with the authority and prior to the effective date of this Ordinance is hereby ratified and affirmed.

Section 15. Effective Date. This Ordinance shall take effect thirty (30) days after publication, as provided by law.

MAYOR

ATTEST:

CITY CLERK

APPROVED AS TO FORM:

DEPUTY CITY ATTORNEY

PASSED:

APPROVED:

PUBLISHED: