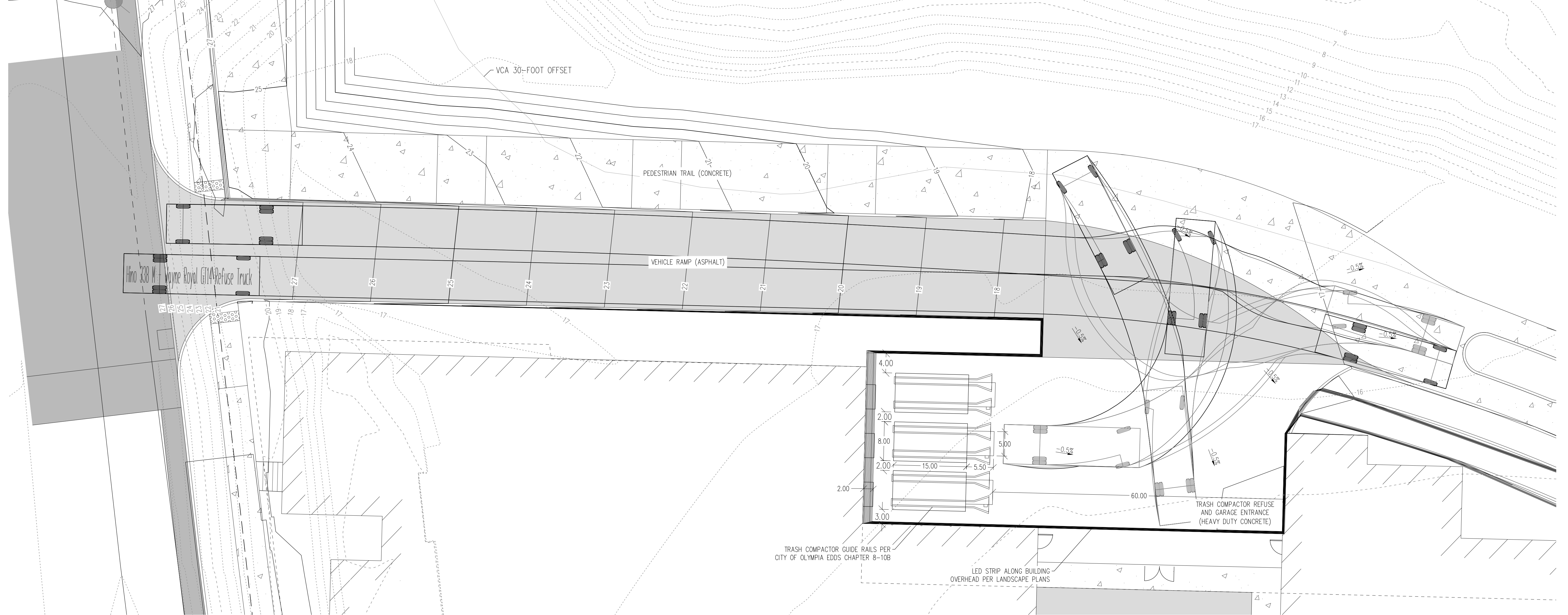
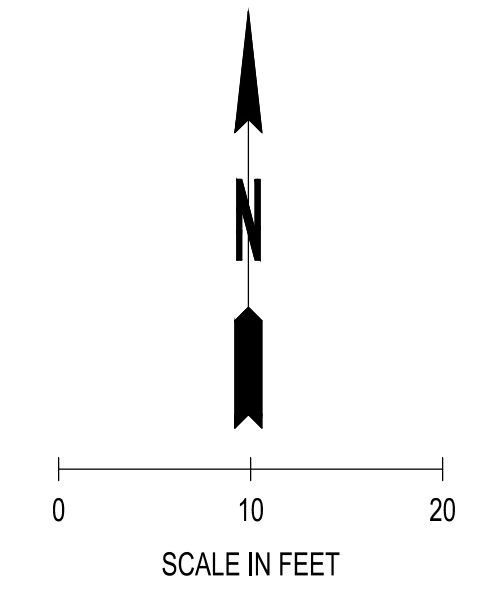
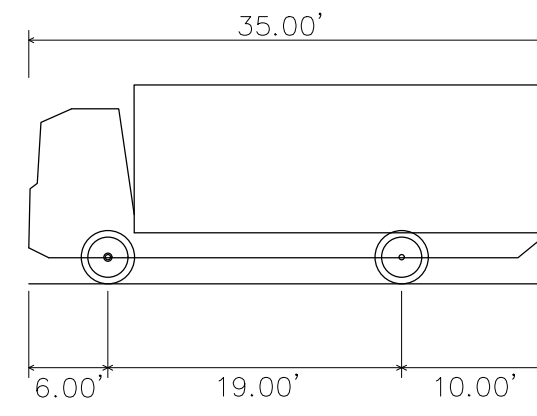
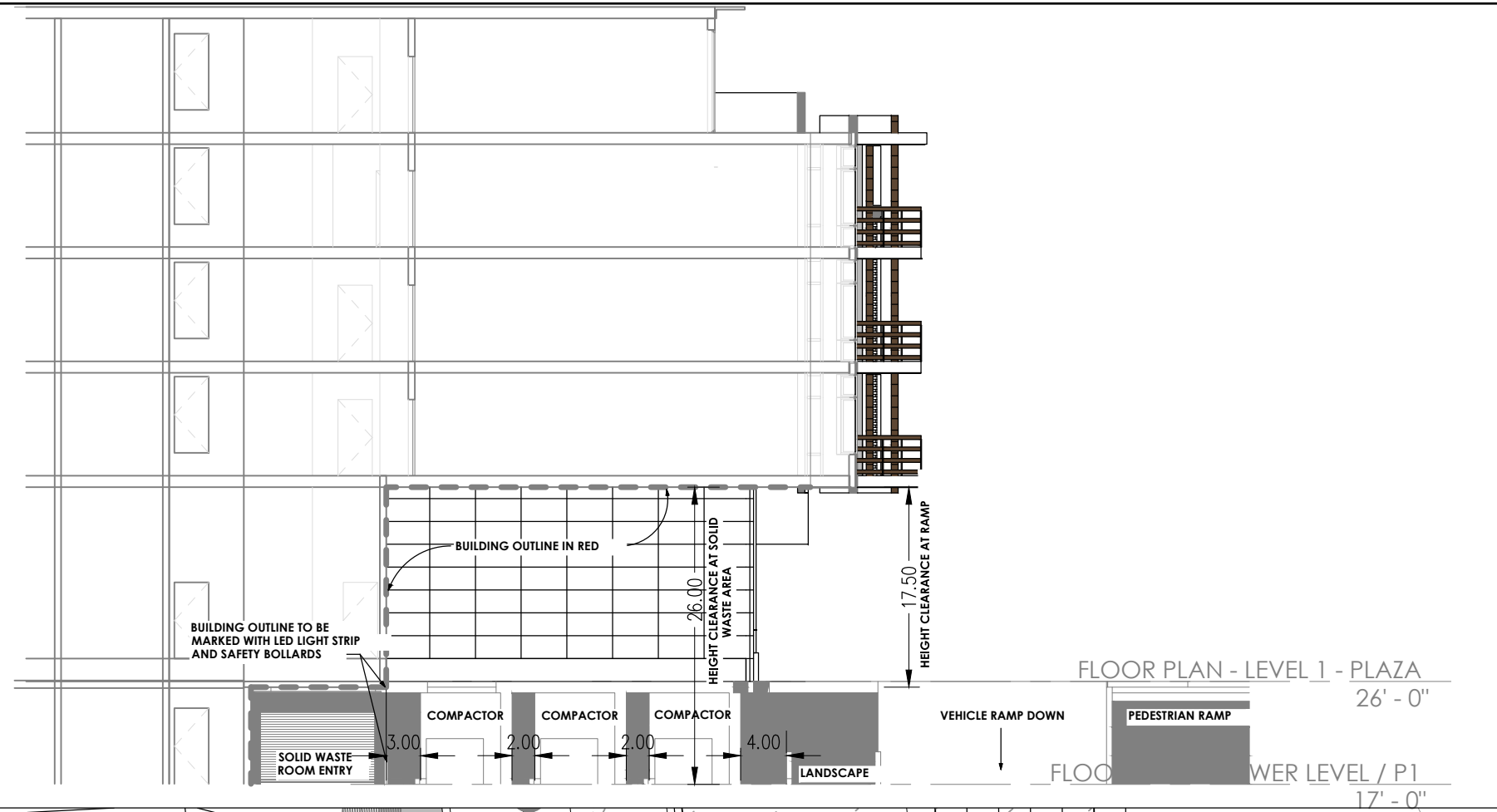


DROP BOX COMMERCIAL REFUSE TRUCK

Overall Length	35.00ft
Overall Width	9.50ft
Vertical Site Clearance	14.00ft
Track Width	8.50ft
Lock-to-lock time	5.00s
Minimum Outside Turning Radius	42.00ft

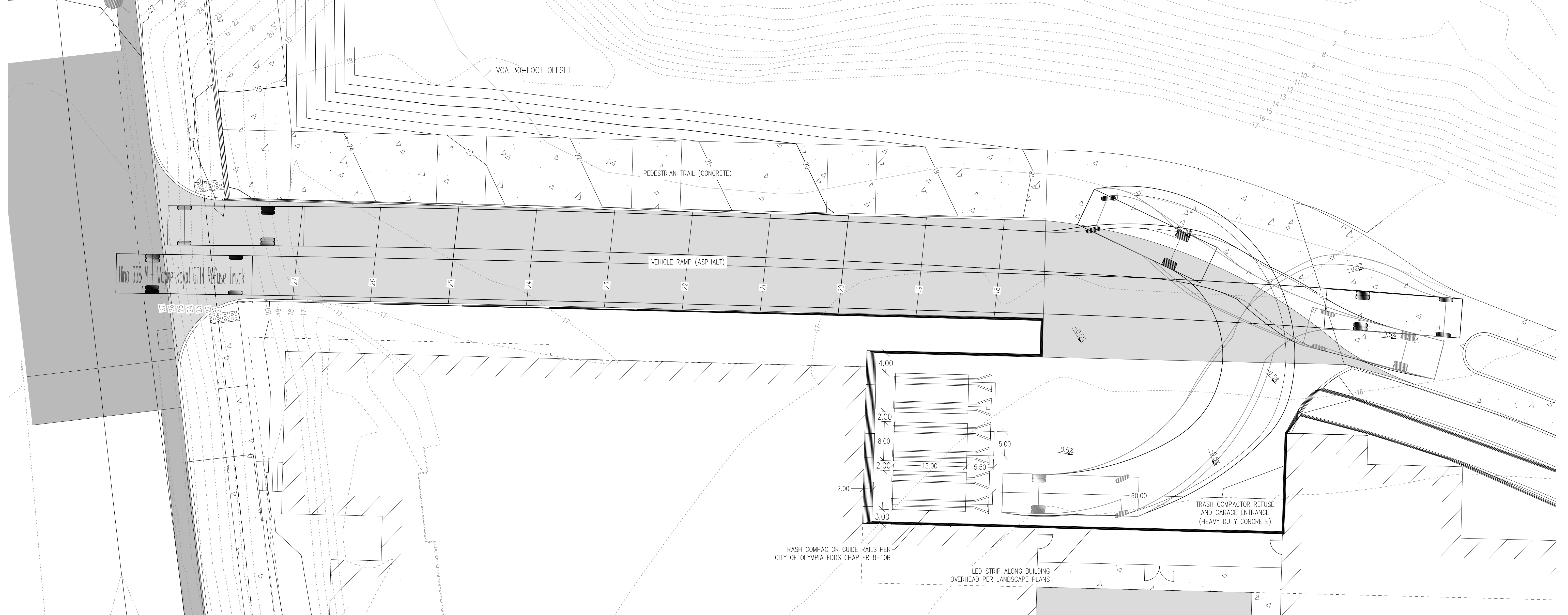
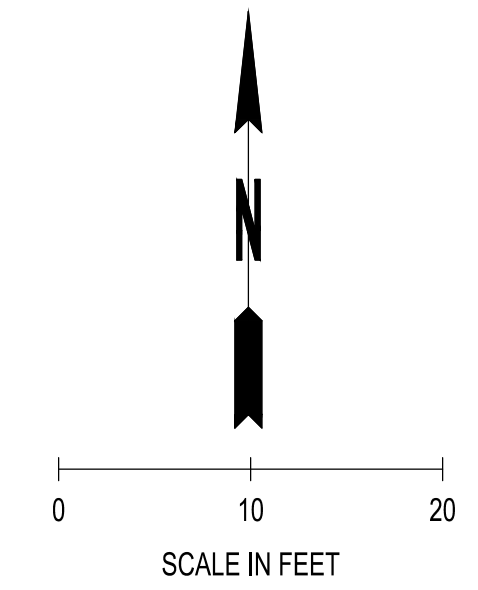


J:\03\_2025\_0\_28\_06m - User - 03/10/2025 10:00 AM  
 V:\PROJECTS\2024\WEST BAY MULTI-FAMILY\CADD\EXHIBITS\TRASH ENCLOSURE VEHICLE TRACKING\3264.02 REFUSE TRUCK EXHIBIT - NEW.DWG



DROP BOX COMMERCIAL REFUSE TRUCK

Overall Length	35.00ft
Overall Width	9.50ft
Vertical Site Clearance	14.00ft
Track Width	8.50ft
Lock-to-lock time	5.00s
Minimum Outside Turning Radius	42.00ft



JUL 03, 2025 8:28:15am User: rick.martinez  
 W:\PROJECTS\2024\WEST BAY MULTI-FAMILY\CADD\EXHIBITS\TRASH ENCLOSURE VEHICLE TRACKING\3264.02 REFUSE TRUCK EXHIBIT - NEW.DWG